

Aeroquip 4S/6S Spiral Hose Fittings

4S/6S

Eaton's high performance spiral hose fitting design with DURA-SEAL™ technology



EATON

Powering Business Worldwide

Class "0" Cool-Down leakage
Superior corrosion resistance
Hose/fitting identification program

Eaton's 4S/6S spiral advantage

Higher operating performance • Superior corrosion resistance • Hose/fitting identification program

Eaton designs its hose and hose fittings so that when assembled together our customers have an engineered hose assembly system that will exceed the customer's hydraulic system requirements providing longer hose assembly life which results in less equipment down-time. Eaton's engineered hose assembly system approach is what differentiates Eaton from other suppliers in the marketplace, especially those suppliers that only design and

manufacture hose or those suppliers that only design and manufacture hose fittings, resulting in an assembly of mixed supplier components. The key to higher performance hydraulic hose assemblies is based on designing, manufacturing, assembling, and testing the components as a system. The new 4S/6S spiral hose fitting offering is a key component of the Eaton engineered hose assembly system.



Eaton's 4S/6S spiral advantage

Will reduce complexity in hose fitting selection in assembling with the correct Eaton hose, plus a reduction in customer inventory costs.

Eaton's technological advancements in spiral hose & hose fitting designs

Introducing Eaton's next generation spiral hose fitting design. This new series of spiral hose fittings incorporates major advancements in fitting design that provides a higher performing spiral hose assembly for the most demanding applications while using a simple more user friendly three step hose and hose fitting assembly process. The 4S/6S hose assemblies meet / exceed all standard global industry specifications. The "4S/6S" fitting series refers to the 4-spiral and 6-spiral wire reinforcement of the hose approved with the respective "4S" and "6S" series fittings.



1. DURA-SEAL™ technology

This patent-pending innovation from Eaton eliminates hose assembly cool-down leakage, while extending hose assembly life, reducing equipment down-time.

2. DURA-KOTE™ plating technology

Hose fittings that will now offer 3x's the corrosion protection on carbon steel fittings as compared to competitive hose fittings. Eaton's DURA-KOTE fittings provide up to 1000 hours of corrosion protection. This is a huge step forward in metal fitting corrosion protection.

3. MatchMate™ spiral - hose/fitting identification system

User friendly system that helps the assembler of spiral hose and hose fittings quickly and easily identify the correct hose and hose fitting to be crimped together providing a more reliable / safe product. This also reduces scrap costs from assembling the wrong hose and hose fitting.



Class "0" Cool-Down leakage

Superior corrosion resistance

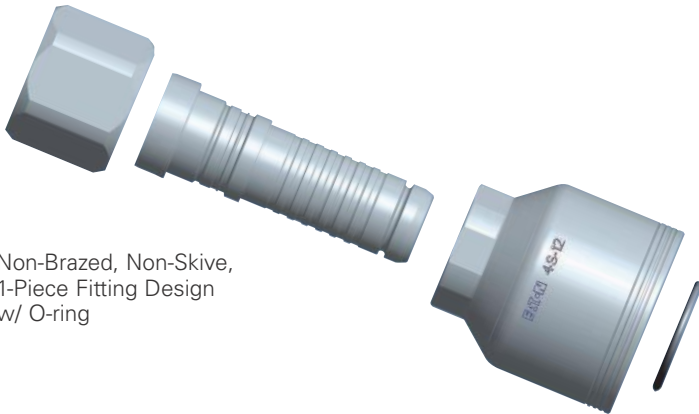
User-friendly hose/fitting identification system



DURA-SEAL™ Technology

DURA-SEAL™ technology = Class "0" Cool-down leakage + higher operating performance

Eaton's 4S/6S spiral hose fittings feature a unique patent-pending O-ring seal on the nipple that ensures class 0 cool-down leakage and longer hose assembly life in the most demanding applications. Tests have shown that this revolutionary technology meets SAEJ1176 Class 0 cool-down leakage in high impulse pressure tests with no moisture formulating at the end of the hose socket during system shutdown and start-up. Class 0 is the highest classification rating for leak-free performance of hose and fittings. Eaton previously developed this technology for use on the Eaton "1W" internal skive fittings which resulted in outstanding higher hose assembly operating performance. With this Eaton technology offered in both the ultimate performance internal skive fitting design and now offered in a one-piece non-skive fitting design, Eaton is leading the industry in spiral hose assembly performance.



Non-Brazed, Non-Skive, 1-Piece Fitting Design w/ O-ring



Cool-Down leakage classification – SAEJ1176

O-ring nipple design provides class-0 cool down leakage in accordance with SAE J1176 leak free classifications

| | |
|---------|---|
| Class 0 | No indication of moisture |
| Class 1 | Nonrecurring fluid |
| Class 2 | Recurring fluid that does not result in the formation of a droplet |
| Class 3 | Recurring fluid that results in the formation of a non-falling droplet |
| Class 4 | Recurring fluid where a droplet forms and falls |
| Class 5 | Recurring fluid where the frequency of droplets makes a measurable stream |

Features and benefits



| | |
|---|---|
| One Piece Non-Skive Fitting | Reduces errors of matching correct socket with nipple |
| Non-Brazed (one-piece machined) nipples | Eliminates possibility of braze joint failures in the field |
| "Captive" terminal end nuts | Reduces chance of damage from over-torquing during hose assembly installation |
| Smaller profile fitting design | Easier to install hose assembly in tight spaces |
| MatchMate Spiral System | Hose and fittings are marked to prevent chance of errors when selecting the correct hose and fitting to be crimped together |
| Standardization | Meets / exceeds global industry specifications |
| DURA-KOTE Plating | Eaton's next generation plating provides up to 1000 hours of corrosion resistance, far exceeding SAE J514 specifications |

DURA-KOTE™ Plating Technology

DURA-KOTE™ plating = Superior corrosion resistance

Corrosion resistance is a necessity on nearly every application of hydraulic fluid conveyance products. Unplated carbon steel fluid conveyance products can begin rusting within hours of exposure to the elements. Now Eaton, a world leader in power management and hydraulic systems, has raised the bar on corrosion resistance. Introducing DURA-KOTE plating technology, delivering significantly higher level of corrosion resistance on carbon steel fluid conveyance products.

DURA-KOTE plating technology now comes standard on most carbon steel fluid conveyance products, so you get products that look better, last longer, cost less to maintain.

- Testing in accordance to ASTM B117 salt spray requirements, Eaton fluid conveyance components with DURA-KOTE plating technology were rated up to 1,000 hours of corrosion resistance, far exceeding SAEJ514 requirements.
- Up to three times more protection compared to earlier generations of plating—without changing the look, feel or performance of Eaton's carbon steel fluid conveyance products.
- Commonly used in oil and gas, construction, agriculture, mining, manufacturing, and transportation.

No compatibility issues when using existing carbon steel parts with former plating and parts with the improved DURA-KOTE plating. The Eaton carbon steel fluid conveyance products you rely on today will look, feel and perform exactly the same as previous products.

- Same form and functional capabilities
- Standard SAE torque values and pressure ratings
- Same silver appearance
- Same procedures for assembly

Corrosion protection

3x's better corrosion protection (up to 1000 hours), higher impulse cycle performance, one-piece non-brazed nipples



Corrosion resistance

Corrosion of current carbon steel adapters after 650 hours of exposure to salt spray testing.



Eaton



Competitor X



Competitor Y

Learn more about how Eaton's new standard in corrosion resistance can help make your fluid conveyance components look better, last longer and operate more efficiently. Contact your sales representative about DURA-KOTE plating technology or visit www.eaton.com/Dura-Kote

As you can see in the photos above, carbon steel fluid conveyance products protected with Eaton's DURA-KOTE plating technology resist rust longer than other carbon steel products available today.

MatchMate™ spiral hose/fitting identification system

MatchMate Spiral = User friendly hose/fitting identification program

Expanding upon our World Class MatchMate program for Eaton braided and 100R12 hoses, we are now offering a new easy matching identification program for our entire spiral hose product offering. In addition, the 4S/6S hose fittings are part of our Eaton

Engineered Hose Assembly System which ensures that matched components are used in a crimped hose assembly that meets/exceeds the industry specifications.

4S/6S Hose and fitting identification/matching system

Eaton Fitting part number provides user with an easy method to match the correct hose and hose fitting for assembly.

Example using fitting part number 4S16FL16

- Hose Fitting Series (4S or 6S)
- End Connection Size (-16)
- End Connection Code ("FL" is a code 61 flange)
- Hose Dash Size (-16)

4S **16** **FL** **16**

- 4 rings on socket refers to 4-spiral hose (4S)
- 6 rings on socket refers to 6-spiral hose (6S)



"4S-16" marking on socket identifies: Hose type: 4-Spiral (4S) Hose Dash size: -16

Simplicity. That's the core of Eaton's 4S/6S program. With the MatchMate Spiral matching and mating system, Eaton has made it much easier to select the correct spiral fitting to be assembled on Eaton's spiral hoses.

Eaton laylines are identified with "4S" or "6S" on hoses approved with 4S or 6S fittings. Eaton fittings are identified with 4 or 6 rings AND "4S" or "6S" with hose dash size on the socket.

- All "4S" fittings are marked so they are easily matched to identification marking on the correct 4-spiral hoses
- All "6S" fittings are marked so they are easily matched to identification marking on the correct 6-spiral hoses

It's that simple.

Simplifying the selection of the correct hose and hose fitting to be crimped together eliminates confusion for the assembler. This leads

to increased productivity, and offers greater safety for end users once assembly is installed in the hydraulic system.

Eaton 4-Spiral hoses qualified with 4S fitting

For use with hoses:

EC525, GH493, FC736, FC500, FC636, FC273B, GH506, FC254, EC600, EC810



Reference the Eaton Aeroquip® Hose Assembly Master Catalog A-HOOV-MC001-E3 for more information on spiral hoses.

Eaton 6-Spiral hoses qualified with 6S fitting

For use with hose: FC606, FC500, FC273B, EC810, GH466

Safety & assembly

Eaton's hydraulic hose and fitting assembly product warning

Flexible hose lines offer many advantages over rigid tubing including routing ease, vibration absorption, sound deafening and the ability to accommodate movement of connected components. However, hose lines require caution in use not only to provide long service, but also to guard against potentially dangerous failure.

Important

The user should carefully observe the precautions listed in this catalog, including the recommendations on the selection of hose & fittings on the relevant pages. In addition, care should be taken not to exceed the minimum bend radius listed for each hose size, and type in the hose section. Maximum operating pressure should not exceed pressures listed in the hose data. Instructions for assembling fittings to different hose should be followed carefully to ensure the performance of the completed assembly.

Warning

Flexible hose lines offer many advantages over rigid tubing including routing ease, vibration absorption, sound deafening and the ability to accommodate movement of connected components. However, hose lines require caution in use not only to provide long service, but also to guard against potentially dangerous failure.

Warning

Application considerations must be observed in selecting appropriate components for the application of these products contained herein. The failure to follow the recommendations set forth in this catalog may result in an unstable application which may result in serious personal injury, property damage and/or death.

Warning

Eaton or any of its affiliates or subsidiaries shall not be subject to and disclaims any obligations or liabilities (including but not limited to all consequential, incidental and contingent damages) arising from tort claims (including without limitation negligence and strict liability) or other theories of law with respect to any hose assemblies not produced from genuine Eaton hose fittings, hose and Eaton approved equipment, and in conformance with Eaton's process and product instructions for each specific hose assembly.

Failure to follow these processes and product instructions and limitations could lead to premature hose assembly failures resulting in property damage, serious injury or death.

Assembly instructions

Cut hose

1. Calculate cut length of hose by subtracting the "D" dimension from both ends (see fitting information for "D" dimensions).
2. Cut hose to proper length as shown below.
3. Angle on cut ends must not exceed 5°
4. Do not kink or bend hose beyond minimum bend radius during handling
5. Take care not to damage hose cover during handling.

Clean hose

1. At a minimum the hose assembly should be blown out with clean compressed air. Eaton recommends using the Eaton Contamination Control System.
2. Assemblies may be rinsed out with hot water at 65°C (150°F) max, or use Eaton's projectile contamination control system shown in bulletin E-HOIN-TT032-E.

Assemble fittings

1. Inspect fitting for the presence of an O-ring. O-ring must be installed on nipple.
2. Mark both ends of hose with fitting insertion depth noted in the assembly equipment & tooling table in the back of this catalog
3. Place sufficient lube in ID of hose for easier insertion. Check compatibility.
4. Do not place lube directly on nipple O-ring
5. Insert fitting fully into hose until socket is aligned with insertion depth.
6. Check fitting orientation if required.

Crimp fittings to hose

1. Use only approved Eaton assembly equipment.
2. Follow standard crimping procedures available in Power-Source or contact Eaton Technical Support for additional details.

How to order

Accurate processing and prompt delivery of your order depends on easy identification of your requirements. Please order Eaton brand parts using correct part numbers as described in this catalog. Inquiries and orders should be directed to your Eaton Fluid Conveyance Distributor or:

Eaton Corp.
14615 Lone Oak Rd.
Eden Prairie, MN 55344
1-952-937-9800
1-888-258-0222
Fax: 952-974-7722
www.eaton.com/hydraulics

Part numbers and dash sizes

Dash size designates the nominal size of 16ths of an inch. This number immediately follows the part number and is separated from it with a dash.

Dimensions

Dimensions given in this catalog for Eaton products are approximate and should be used for reference only. Exact dimensional information for a given product is subject to change and varying tolerances; contact Eaton directly for full current information.

Globally standardized pressure ratings

Eaton has standardized hose burst and operating pressure ratings in cataloging, worldwide. This move toward standardization will slightly alter some of the pressure ratings listed for hoses in this catalog as pressures are rounded off. This is a paper conversion only. This action has no effect on the actual testing and certification of Eaton hoses to stringent product standards.

Warning

Hose assemblies

Eaton manufactures the terminal ends of our hose fittings to the appropriate requirements established by the SAE. Therefore, the performance ratings of these hose fittings meet the SAE requirements. It is possible to order a hose assembly with a fitting terminal end that has a performance rating lower than the hose rating. When ordering hose assemblies, please keep the connecting end performance rating in mind since this may affect overall hose assembly performance. Hose assembly components (hose and fittings) are easily assembled in the field. However, factory assembled reusable and crimped hose assemblies are available. For complete information, contact Eaton.

Socket data

Markings on crimp fittings

Use of correct Eaton fitting with a given Eaton hose is essential for proper assembly and performance. All Eaton 4S/6S fittings are marked with the product group, 4S or 6S, and the dash size. Using this number, from the following table, the correct hose may be found and dash sizes matched, to ensure the correct combination.

Global identification marking

Global non-skive fitting sockets for four-spiral and six-spiral hose in all sizes have four or six rings plus a scribe mark and either 4S-size or 6S-size etched on the socket. Global hose fittings are identified with an Eaton trademark and the hose dash size. In addition, global sockets are identified with the following:

| Identification marking | Fitting style | Hose/Socket description |
|---|------------------|-------------------------|
| 4 rings 1 scribe mark and 4S socket 4S-(size) | Spiral non-skive | Four spiral wire hose |
| 6 rings 1 scribe mark and 6S socket 6S-(size) | Spiral non-skive | Six spiral wire hose |

4S Fitting



4S Socket



6S Fitting



6S Socket



O-ring for Hose Nipple

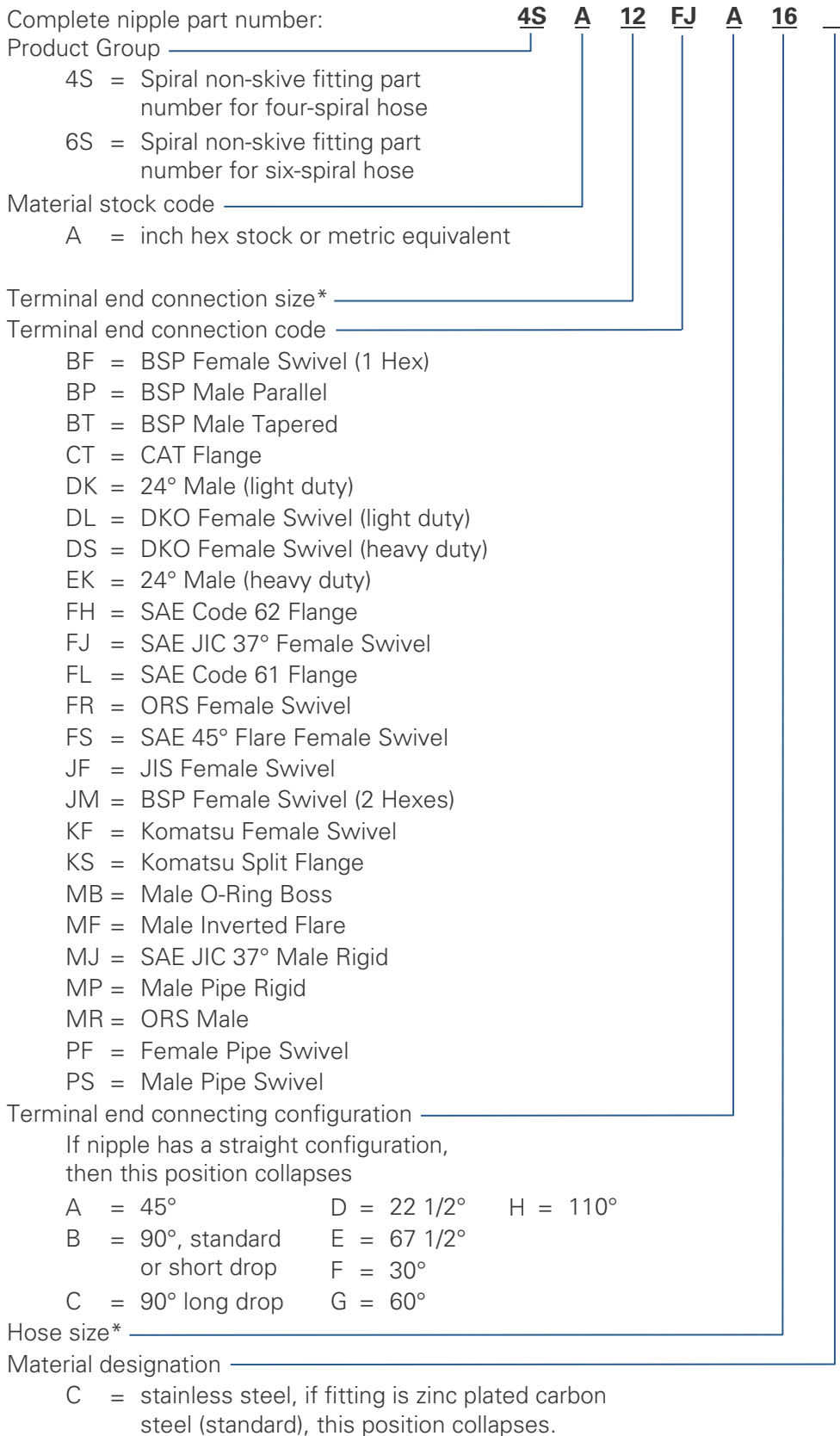
| Part # | Fitting (Hose) Dash Size |
|------------|--------------------------|
| FF91157-12 | -12 |
| FF91157-16 | -16 |
| FF91157-20 | -20 |
| FF91157-24 | -24 |
| FF91157-32 | -32 |

Weatherhead catalog hose fitting size reference

| Example | Example |
|---|--|
| SAE JIC/37° Female Swivel – Straight for “4S” series | SAE Code 61 Flange – Straight for “6S” series |
| <ul style="list-style-type: none"> Eaton global fitting part # 4SA12FJ16 (must order part using this part #) Weatherhead size reference # 16-612 (for reference only – cannot order part using this number) <ul style="list-style-type: none"> Hose size: -16 Fitting terminal end size & type: -612 | <ul style="list-style-type: none"> Eaton global fitting part # 6S32FL24 (must order part using this part #) Weatherhead size reference # 24-G32 (for reference only – cannot order part using this number) <ul style="list-style-type: none"> Hose size: -24 Fitting terminal end size & type: -G32 |
| View of fitting section in catalog: | View of fitting section in catalog: |
| 4SA12FJ16 (16-612) | 6S32FL24 (24-G32) |

Eaton's hose fitting part numbering system – 4S/6S

Global crimp nipples/fittings



* When ordering sizes 3, 4, 5, 6 and 8 the part number requires only single digits

Hose fitting pressure chart for 4S/6S fittings only

Thread style pressure performance

Eaton closely follows industry standards in design and in application recommendations. A key principle within ISO, SAE and other standards bodies is that the **MAXIMUM WORKING PRESSURE OF THE HOSE OR ADAPTER ASSEMBLY IS THE**

Note: The tables below are applicable for low carbon free machining steels typically used in Fluid Power connections. For port type connections, the material and design of the port must be considered and may reduce expected strength. For high pressure

LESSER OF THE HOSE AND END CONNECTOR(S) USED.

The first table below provides excerpts from standard Industry pressure rating charts for connector types as Published by SAE (Society of Automotive Engineers.)

applications Eaton recommends the use of more robust connector designs such as Code 62 flange or O-Ring face seal.

Selected SAE pressure ratings in PSI

| Dash Size | Inch Size | 37° JIC SAE J514 | NPT/NPTF SAE J476 | ORS SAE J1453 | Male Flareless SAE J514 | Code 61 SAE J518 | Code 62 SAE J518 |
|-----------|-----------|---------------------|----------------------|------------------|----------------------------|---------------------|---------------------|
| -12 | 3/4 | 3000 | 2500 | 6000 | 3000 | 5000 | 6000 |
| -14 | 7/8 | 2500 | | | 2500 | | |
| -16 | 1 | 2500 | 2000 | 6000 | 2500 | 5000 | 6000 |
| -20 | 1 1/4 | 2000 | 1150 | 3600 | 2000 | 4000 | 6000 |
| -24 | 1/12 | 1500 | 1000 | 3600 | 1500 | 3000 | 6000 |
| -32 | 2 | 1125 | 1000 | 3000 | 1125 | 3000 | 6000 |

International pressure ratings in PSI

| Hose Fitting Connection | Tube O.D | -12 | -15 | -16 | -20 | -22 | -25 | -28 | -32 | -35 | -42 |
|---------------------------|----------|------|------|------|------|------|------|------|------|------|------|
| Male British Pipe (BSP) | | 4000 | | 3500 | 2500 | | | | | | |
| Female British Pipe (BSP) | | 4000 | | 3500 | 2500 | | | | | | |
| Female Pipe (JIS) | | 4000 | | 4000 | | | | | | | |
| DKO s.Rh w/ Oring (Heavy) | | 9100 | | 5800 | 5800 | | 5800 | | 3650 | | 3650 |
| DKO l.Rh w/ Oring (Light) | | 3650 | 3650 | | | 2300 | | 1450 | | 1450 | 1450 |

All Eaton components

With higher pressures it is critical to know the construction materials and manufacturing method to ensure performance. When all components in a system are Eaton supplied, for example an Eaton hose fitting is mated with an Eaton adapter or tube fitting, the combination may be used at higher pressures

with confidence. These higher ratings are noted in the chart below. **MAXIMUM WORKING PRESSURE OF THE HOSE OR ADAPTER ASSEMBLY IS THE LESSER OF THE HOSE AND END CONNECTOR(S) USED.**

All Eaton pressure ratings in PSI^{1&2} for 4S/6S Hose Fittings

| Dash Size | Inch Size | 37° JIC SAE J514 | NPT/NPTF SAE J476 | ORS SAE J1453 | Male Flareless SAE J514 | Code 61 SAE J518 | Code 62 SAE J518 |
|-----------|-----------|---------------------|----------------------|------------------|----------------------------|---------------------|---------------------|
| -12 | 3/4 | 5000 | 5000 | 6000 | 3000 | 5000 | 6000 |
| -14 | 7/8 | 5000 | | | 2500 | | |
| -16 | 1 | 5000 | 4000 | 6000 | 2500 | 5000 | 6000 |
| -20 | 1 1/4 | 5000 | 3000 | 4500 | 2000 | 4000 | 6000 |
| -24 | 1 1/2 | 2100 | 2000 | 4000 | 1500 | 3000 | 6000 |
| -32 | 2 | 1750 | 2000 | 3000 | 1125 | 3000 | 6000 |

Note:

- Eaton fittings are tested to industry standards and beyond to insure a long life. All assemblies listed in the All "Eaton Pressure Ratings" table have passed impulse testing at 133% of operating pressure up to 1 million cycles and meet a 4:1 burst pressure.
- When assembled with all Eaton components, all SAE 37° JIC male and female terminal ends in the 4S & 6S product line are rated at the pressures listed in the table above and have passed one million impulse cycles at 133% of this pressure. All straight configurations achieve a 4:1 burst. The 45° and 90° elbow configurations in the -12 size meet a 3.2:1 burst the 45° and 90° elbow configurations in the -16 size achieve a 2.8:1 burst; the 45° and 90° elbow configurations in the -20 size meet a 4:1 burst and the 45° & 90° elbow configurations in the -24 size meet a 2.4:1 burst.

Design & application

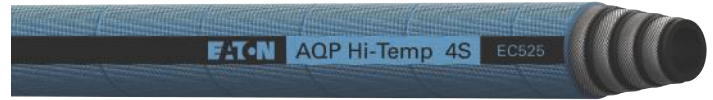
Eaton's Fluid Conveyance engineering and support teams have many decades of experience in designing, manufacturing and servicing hydraulic and other fluid conveyance systems globally. Eaton's product line is designed as a comprehensive collection of hose, fittings, connectors, couplings and accessories that allow a system designer to select components to complete a fluid power system or a service technician to replace a component with confidence. The individual

product specifications, the above pressure ratings and other technical information are intended as supporting guidelines for system design and service needs and are not to be construed as a guarantee of performance of the system or of individual Eaton components. Eaton provides comprehensive technical support so please call with questions about pressure needs not covered by these charts or for specific application support.

4S/6S Approved hoses

EC525

Premium high temperature spiral hose



| # Part Number | Hose I.D. | | | Hose O.D. | | Max Operating Pressure | | Burst Pressure | | Minimum Bend Radius | | Weight | |
|------------------|-----------|------|------|-----------|------|------------------------|------|----------------|-------|---------------------|-------|--------|--------|
| | DN | mm | in | mm | in | bar | psi | bar | psi | mm | in | kg/m | lbs/ft |
| EC525-12 | 19 | 19,0 | 0.75 | 31,5 | 1.24 | 345,0 | 5000 | 1380,0 | 20000 | 241,3 | 9.50 | 1,28 | 0.86 |
| EC525-16 | 25 | 25,4 | 1.00 | 38,5 | 1.52 | 345,0 | 5000 | 1380,0 | 20000 | 304,8 | 12.00 | 1,73 | 1.16 |
| EC525-20 | 31 | 31,8 | 1.25 | 47,5 | 1.87 | 240,0 | 3500 | 960,0 | 14000 | 419,1 | 16.50 | 2,31 | 1.55 |
| EC525-24 | 38 | 38,1 | 1.50 | 59,9 | 2.16 | 240,0 | 3500 | 960,0 | 1400 | 508,0 | 20.00 | 2,86 | 1.99 |
| EC525-32 | 51 | 50,8 | 2.00 | 68,5 | 2.70 | 225,0 | 3250 | 900,0 | 1300 | 635,0 | 25.00 | 4,42 | 2.97 |

Construction

- AQP elastomer tube
- 4-spiral wire reinforcement
- AQP elastomer high temperature cover

Operating temperature range

-40°C to +150°C
(-40°F to +302°F)

Application

Hydraulic system service with petroleum, fire-resistant, and water-base fluids, fuel, and lubricating systems.

Fitting Reference

| Hose size | Series |
|-----------|--------|
| -12 | 4S |
| -16 | 4S |
| -20 | 4S |
| -24 | 4S |
| -32 | 4S |

FC636

Specialty spiral hose

EPDM

SAE 100R12



| # Part Number | Hose I.D. | | | Hose O.D. | | Max Operating Pressure | | Burst Pressure | | Minimum Bend Radius | | Weight | |
|------------------|-----------|------|------|-----------|------|------------------------|------|----------------|-------|---------------------|-------|--------|--------|
| | DN | mm | in | mm | in | bar | psi | bar | psi | mm | in | kg/m | lbs/ft |
| FC636-12 | 19 | 19,0 | 0.75 | 31,5 | 1.24 | 275,0 | 4000 | 1100,0 | 16000 | 241,0 | 9.50 | 1,31 | 0.88 |
| FC636-16 | 25 | 25,4 | 1.00 | 38,6 | 1.52 | 275,0 | 4000 | 1100,0 | 16000 | 305,0 | 12.00 | 1,74 | 1.17 |
| FC636-20 | 31 | 31,8 | 1.25 | 47,5 | 1.87 | 207,0 | 3000 | 828,0 | 12000 | 419,0 | 16.50 | 2,31 | 1.55 |
| FC636-24 | 38 | 38,1 | 1.50 | 54,9 | 2.16 | 172,0 | 2500 | 688,0 | 10000 | 508,0 | 20.00 | 2,92 | 1.96 |

Construction

- Synthetic EPDM tube
- 4-spiral wire reinforcement,
- Green EPDM synthetic cover

Operating temperature range

-40°C to +75°C
(-40°F to +175°F)

Application

Ground support equipment (GSE), industrial phosphate ester based fluids, water glycol systems. For more information on specific fluid applications and high temperature ratings.

Fitting Reference

| Hose size | Series |
|-----------|--------|
| -12 | 4S |
| -16 | 4S |
| -20 | 4S |
| -24 | 4S |

4S/6S Approved hoses

GH493

Premium R12 Spiral hose
1/2 SAE Bend radius
SAE 100R12, EN 856 Type R12
EN 856 4SP Operating pressure



Triple Crown

- Pressure
- Temperature
- Abrasion resistance

| # Part Number | Hose I.D. | | | Hose O.D. | | Max Operating Pressure | | Burst Pressure | | Minimum Bend Radius | | Weight | |
|------------------|-----------|------|------|-----------|------|------------------------|------|----------------|-------|---------------------|-------|--------|--------|
| | DN | mm | in | mm | in | bar | psi | bar | psi | mm | in | kg/m | lbs/ft |
| GH493-12 | 19 | 19,0 | 0.75 | 31,7 | 1.25 | 380,0 | 5500 | 1520,0 | 22000 | 120,0 | 4.72 | 1,34 | 0.90 |
| GH493-16 | 25 | 25,4 | 1.00 | 39,4 | 1.55 | 350,0 | 5100 | 1400,0 | 20400 | 150,0 | 5.91 | 1,78 | 1.20 |
| GH493-20 | 31 | 31,8 | 1.25 | 48,6 | 1.91 | 310,0 | 4500 | 1240,0 | 18000 | 210,0 | 8.27 | 2,41 | 1.62 |
| GH493-24 | 38 | 38,1 | 1.50 | 55,0 | 2.17 | 275,0 | 4000 | 1100,0 | 16000 | 250,0 | 9.89 | 3,00 | 2.01 |
| GH493-32 | 51 | 50,8 | 2.00 | 68,3 | 2.69 | 275,0 | 4000 | 1100,0 | 16000 | 320,0 | 12.60 | 4,37 | 2.94 |

Construction

- Synthetic rubber tube
- 4-spiral wire reinforcement
- Synthetic DURA-TUFF™ for excellent abrasion resistance

Operating temperature range

-40°C to +127°C
(-40°F to +260°F)

Application

- Hydraulic system service with petroleum and water-base fluids, for general industrial use.
- MSHA

Fitting Reference

| Hose size | Series |
|-----------|--------|
| -12 | 4S |
| -16 | 4S |
| -20 | 4S |
| -24 | 4S |
| -32 | 4S |

FC736

Premium abrasion resistant R12 Spiral hose
SAE 100R12, EN 856 Type R12



| # Part Number | Hose I.D. | | | Hose O.D. | | Max Operating Pressure | | Burst Pressure | | Minimum Bend Radius | | Weight | |
|------------------|-----------|------|------|-----------|------|------------------------|------|----------------|-------|---------------------|-------|--------|--------|
| | DN | mm | in | mm | in | bar | psi | bar | psi | mm | in | kg/m | lbs/ft |
| FC736-12 | 19 | 19,0 | 0.75 | 31,7 | 1.25 | 280,0 | 4050 | 1120,0 | 16200 | 240,0 | 9.45 | 1,32 | 0.89 |
| FC736-16 | 25 | 25,4 | 1.00 | 39,4 | 1.55 | 280,0 | 4050 | 1120,0 | 16200 | 300,0 | 11.81 | 1,75 | 1.18 |
| FC736-20 | 31 | 31,8 | 1.25 | 48,6 | 1.91 | 210,0 | 3050 | 840,0 | 12200 | 420,0 | 16.54 | 2,36 | 1.59 |
| FC736-24 | 38 | 38,1 | 1.50 | 55,0 | 2.17 | 175,0 | 2550 | 700,0 | 10200 | 500,0 | 19.68 | 3,00 | 2.01 |
| FC736-32 | 51 | 50,8 | 2.00 | 68,3 | 2.69 | 175,0 | 2550 | 700,0 | 10200 | 640,0 | 25.20 | 4,37 | 2.94 |

Construction

- Synthetic rubber tube
- 4-spiral wire reinforcement
- Synthetic rubber intermediate cover
- BRUISER outer cover for superior abrasion resistance

Operating temperature range

-40°C to +121°C
(-40°F to +250°F)

Application

High abrasion industrial and hydraulic system applications with petroleum and water-based fluids. Recommended for use on critical applications in construction, forestry, and other off-highway vehicles. BRUISER outer cover offers unmatched abrasion, chemical and environmental protection.

Fitting Reference

| Hose size | Series |
|-----------|--------|
| -12 | 4S |
| -16 | 4S |
| -20 | 4S |
| -24 | 4S |
| -32 | 4S |

4S/6S Approved hoses

FC500

Premium R13 Spiral hose
1/2 SAE Bend radius
SAE 100R13 Performance



| # Part Number | Hose I.D. | | | Hose O.D. | | Max Operating Pressure | | Burst Pressure | | Minimum Bend Radius | | Weight | |
|------------------|-----------|------|------|-----------|------|------------------------|------|----------------|-------|---------------------|-------|--------|--------|
| | DN | mm | in | mm | in | bar | psi | bar | psi | mm | in | kg/m | lbs/ft |
| FC500-12 | 19 | 19,0 | 0.75 | 31,8 | 1.25 | 350,0 | 5100 | 1400,0 | 20400 | 121,0 | 4.75 | 1,28 | 0.86 |
| FC500-16 | 25 | 25,4 | 1.00 | 39,1 | 1.54 | 350,0 | 5100 | 1400,0 | 20400 | 152,0 | 6.00 | 1,85 | 1.24 |
| FC500-20 | 31 | 31,8 | 1.25 | 47,0 | 1.85 | 350,0 | 5100 | 1400,0 | 20400 | 210,0 | 8.25 | 2,50 | 1.68 |
| FC500-24 | 38 | 38,1 | 1.50 | 55,1 | 2.17 | 350,0 | 5100 | 1400,0 | 20400 | 254,0 | 10.00 | 3,38 | 2.27 |
| FC500-32 | 51 | 50,8 | 2.00 | 72,6 | 2.86 | 350,0 | 5100 | 1400,0 | 20400 | 476,0 | 18.75 | 6,07 | 4.08 |

Construction

- Synthetic rubber inner tube
-12 to -24
- 4-spiral wire reinforcement
-32 6-spiral reinforcement
- Synthetic DURA-TUFF
rubber cover for excellent
abrasion resistance

Operating temperature range

-40°C to +127°C
(-40°F to +260°F)

Application

- Hydraulic system service
with petroleum and
water-base fluids, for low
temperature applications
- MSHA

Fitting Reference

| Hose size | Series |
|-----------|--------|
| -12 | 4S |
| -16 | 4S |
| -20 | 4S |
| -24 | 4S |
| -32 | 6S |

4S/6S Approved hoses

FC273B

Premium abrasion resistant R13 Spiral hose
SAE 100R13, EN 856 Type R13, ISO 3862 Type R13



| # Part Number | Hose I.D. | | | Hose O.D. | | Max Operating Pressure | | Burst Pressure | | Minimum Bend Radius | | Weight | |
|------------------|-----------|------|------|-----------|------|------------------------|------|----------------|-------|---------------------|-------|--------|--------|
| | DN | mm | in | mm | in | bar | psi | bar | psi | mm | in | kg/m | lbs/ft |
| FC273B-12 | 19 | 19,0 | 0.75 | 33,3 | 1.31 | 350,0 | 5100 | 1400,0 | 20400 | 241,0 | 9.50 | 1,55 | 1.04 |
| FC273B-16 | 25 | 25,4 | 1.00 | 39,9 | 1.57 | 350,0 | 5100 | 1400,0 | 20400 | 305,0 | 12.00 | 1,95 | 1.31 |
| FC273B-20 | 31 | 31,8 | 1.25 | 51,3 | 2.02 | 350,0 | 5100 | 1400,0 | 20400 | 419,0 | 16.50 | 3,63 | 2.44 |
| FC273B-24 | 38 | 38,1 | 1.50 | 58,9 | 2.32 | 350,0 | 5100 | 1400,0 | 20400 | 508,0 | 20.00 | 4,78 | 3.21 |
| FC273B-32 | 51 | 50,8 | 2.00 | 72,7 | 2.86 | 350,0 | 5100 | 1400,0 | 20400 | 635,0 | 25.00 | 7,05 | 4.74 |

Construction

- Synthetic rubber tube
- -12&-16 4-spiral wire reinforcement, -20 to -32 6-spiral wire reinforcement
- Synthetic rubber intermediate cover
- BRUISER outer cover for superior abrasion resistance

Operating temperature range

-40°C to +121°C
(-40°F to +250°F)

Application

High abrasion industrial and hydraulic system applications with petroleum and water-based fluids. Recommended for use on critical applications in construction, forestry, and other off-highway vehicles. BRUISER outer cover offers unmatched abrasion, chemical and environmental protection.

Fitting Reference

| Hose size | Series |
|-----------|--------|
| -12 | 4S |
| -16 | 4S |
| -20 | 6S |
| -24 | 6S |
| -32 | 6S |

GH506

Specialty 4SH Spiral hose
EN 856 4SH



| # Part Number | Hose I.D. | | | Hose O.D. | | Max Operating Pressure | | Burst Pressure | | Minimum Bend Radius | | Weight | |
|------------------|-----------|------|------|-----------|------|------------------------|------|----------------|-------|---------------------|-------|--------|--------|
| | DN | mm | in | mm | in | bar | psi | bar | psi | mm | in | kg/m | lbs/ft |
| GH506-12 | 19 | 19,0 | 0.75 | 33,0 | 1.30 | 420,0 | 6100 | 1680,0 | 24400 | 280,0 | 11.02 | 1,49 | 1.00 |
| GH506-16 | 25 | 25,4 | 1.00 | 39,4 | 1.54 | 380,0 | 5500 | 1520,0 | 22000 | 340,0 | 13.39 | 2,05 | 1.38 |
| GH506-20 | 31 | 31,8 | 1.25 | 47,1 | 1.85 | 350,0 | 5100 | 1400,0 | 20400 | 460,0 | 18.11 | 2,54 | 1.71 |
| GH506-24 | 38 | 38,1 | 1.50 | 55,1 | 2.17 | 300,0 | 4350 | 1200,0 | 17400 | 560,0 | 22.05 | 3,27 | 2.20 |
| GH506-32 | 51 | 50,8 | 2.00 | 69,7 | 2.74 | 250,0 | 3650 | 1000,0 | 17500 | 700,0 | 27.56 | 4,58 | 3.08 |

Construction

- Synthetic rubber tube
- 4-spiral wire reinforcement
- Synthetic DURA-TUFF rubber cover cover for excellent abrasion resistance

Operating temperature range

-40°C to +100°C
(-40°F to +212°F)

Application

- Four wire hose for high pressure hydraulic systems with petroleum and water-base fluids
- MSHA

Fitting Reference

| Hose size | Series |
|-----------|--------|
| -12 | 4S |
| -16 | 4S |
| -20 | 4S |
| -24 | 4S |
| -32 | 4S |

4S/6S Approved hoses

FC254

Specialty 4SH Spiral hose

EN 856 4SH Operating pressure



Triple Crown

- Pressure
- Temperature
- Abrasion resistance

| # Part Number | Hose I.D. | | | Hose O.D. | | Max Operating Pressure | | Burst Pressure | | Minimum Bend Radius | | Weight | |
|------------------|-----------|------|------|-----------|------|------------------------|------|----------------|-------|---------------------|-------|--------|--------|
| | DN | mm | in | mm | in | bar | psi | bar | psi | mm | in | kg/m | lbs/ft |
| FC254-12 | 19 | 19,0 | 0.75 | 32,5 | 1.28 | 497,0 | 7200 | 1988,0 | 28800 | 279,0 | 11.00 | 1,58 | 1.06 |
| FC254-16 | 25 | 25,4 | 1.00 | 39,4 | 1.55 | 415,0 | 6000 | 1660,0 | 24000 | 305,0 | 12.00 | 1,96 | 1.32 |
| FC254-20 | 31 | 31,8 | 1.25 | 46,0 | 1.81 | 350,0 | 5100 | 1400,0 | 20400 | 419,0 | 16.50 | 2,43 | 1.63 |
| FC254-24 | 38 | 38,1 | 1.50 | 55,1 | 2.17 | 300,0 | 4300 | 1200,0 | 17400 | 508,0 | 20.00 | 3,02 | 2.03 |
| FC254-32 | 51 | 50,8 | 2.00 | 69,3 | 2.73 | 275,0 | 4000 | 1100,0 | 16000 | 635,0 | 25.00 | 4,49 | 3.02 |

Construction

- Synthetic rubber tube
- 4-spiral wire reinforcement
- Synthetic DURA-TUFF rubber cover for excellent abrasion resistance

Operating temperature range

-40°C to +127°C
(-40°F to +260°F)

Application

- Hydraulic system service with petroleum and water-base fluids, for general industrial use
- MSHA

Fitting Reference

| Hose size | Series |
|-----------|--------|
| -12 | 4S |
| -16 | 4S |
| -20 | 4S |
| -24 | 4S |
| -32 | 4S |

EC600

Premium R15 Spiral hose

SAE 100R15 Performance



| # Part Number | Hose I.D. | | | Hose O.D. | | Max Operating Pressure | | Burst Pressure | | Minimum Bend Radius | | Weight | |
|------------------|-----------|------|------|-----------|------|------------------------|------|----------------|-------|---------------------|------|--------|--------|
| | DN | mm | in | mm | in | bar | psi | bar | psi | mm | in | kg/m | lbs/ft |
| EC600-12 | 19 | 19,0 | 0.75 | 33,3 | 1.31 | 420,0 | 6100 | 1680,0 | 24400 | 135,0 | 5.31 | 1,52 | 1.01 |

Construction

- Synthetic rubber tube
- 4-spiral wire reinforcement
- Synthetic DURA-TUFF rubber cover for excellent abrasion resistance

Operating temperature range

-40°C to + 127°C
(-40°F to +260°F)

Application

- High-pressure hydraulics, hydrostatic transmissions
- Hydraulic system with petroleum and water-glycol base fluids, for lubricants oils and water
- MSHA

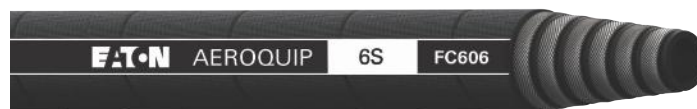
Fitting Reference

| Hose size | Series |
|-----------|--------|
| -12 | 4S |

4S/6S Approved hoses

FC606

Specialty R15 Spiral hose
SAE 100R15



| # Part Number | Hose I.D. | | | Hose O.D. | | Max Operating Pressure | | Burst Pressure | | Minimum Bend Radius | | Weight | |
|------------------|-----------|------|------|-----------|------|------------------------|------|----------------|-------|---------------------|-------|--------|--------|
| | DN | mm | in | mm | in | bar | psi | bar | psi | mm | in | kg/m | lbs/ft |
| FC606-16 | 25 | 25,4 | 1.00 | 42,9 | 1.69 | 420,0 | 6100 | 1680,0 | 24400 | 305,0 | 12.00 | 2,60 | 1.77 |
| FC606-20 | 31 | 31,8 | 1.25 | 51,6 | 2.03 | 420,0 | 6100 | 1680,0 | 24400 | 419,0 | 16.50 | 3,60 | 2.42 |
| FC606-24 | 38 | 38,1 | 1.50 | 59,6 | 2.32 | 420,0 | 6100 | 1680,0 | 24400 | 508,0 | 20.00 | 4,70 | 3.13 |

Construction

- Synthetic rubber tube
- 6-spiral wire reinforcement
- Synthetic DURA-TUFF rubber cover for excellent abrasion resistance

Operating temperature range

-40°C to +121°C
(-40°F to +250°F)

Application

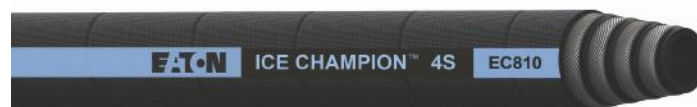
- High-pressure hydraulics, hydrostatic transmissions.
- Hydraulic system service with petroleum and water base fluids for general industrial use
- MSHA

Fitting Reference

| Hose size | Series |
|-----------|--------|
| -16 | 6S |
| -20 | 6S |
| -24 | 6S |

EC810

Premium low temperature spiral hose
SAE 100R15 Operating pressure



| # Part Number | Hose I.D. | | | Hose O.D. | | Max Operating Pressure | | Burst Pressure | | Minimum Bend Radius | | Weight | |
|------------------|-----------|------|------|-----------|------|------------------------|------|----------------|-------|---------------------|-------|--------|--------|
| | DN | mm | in | mm | in | bar | psi | bar | psi | mm | in | kg/m | lbs/ft |
| EC810-12 | 19 | 19,1 | 0.75 | 33,0 | 1.30 | 420,0 | 6100 | 1680,0 | 24400 | 280,0 | 11.02 | 1,61 | 1.08 |
| EC810-16 | 25 | 25,4 | 1.00 | 39,9 | 1.57 | 420,0 | 6100 | 1680,0 | 24400 | 340,0 | 13.39 | 2,02 | 1.36 |
| EC810-20 | 31 | 31,8 | 1.25 | 49,4 | 1.94 | 420,0 | 6100 | 1680,0 | 24400 | 420,0 | 16.54 | 3,55 | 2.39 |
| EC810-24 | 38 | 38,1 | 1.50 | 57,3 | 2.26 | 420,0 | 6100 | 1680,0 | 24400 | 510,0 | 20.08 | 4,74 | 3.19 |
| EC810-32 | 51 | 50,8 | 2.00 | 71,7 | 2.82 | 420,0 | 6100 | 1490,0 | 21610 | 630,0 | 24.08 | 6,70 | 4.50 |

Construction

- Synthetic rubber tube
- 4-heavy spiral wire reinforcement on sizes -12 and -16, 6-spiral in -20 to -32 size
- Synthetic rubber cover for low temperature applications

Operating temperature range

-57°C to +100°C
(-70°F to +212°F)

Application

- Hydraulic systems with petroleum based fluids for low temperature applications
- MSHA

Fitting Reference

| Hose size | Series |
|-----------|--------|
| -12 | 4S |
| -16 | 4S |
| -20 | 6S |
| -24 | 6S |
| -32 | 6S |

4S/6S Approved hoses

GH466

Specialty R15 Spiral hose
SAE 100R15



| # Part Number | Hose I.D. | | | Hose O.D. | | Max Operating Pressure | | Burst Pressure | | Minimum Bend Radius | | Weight | |
|------------------|-----------|------|------|-----------|------|------------------------|------|----------------|-------|---------------------|-------|--------|--------|
| | DN | mm | in | mm | in | bar | psi | bar | psi | mm | in | kg/m | lbs/ft |
| GH466-20 | 31 | 31,8 | 1.25 | 50,4 | 1.98 | 420,0 | 6100 | 1680,0 | 24400 | 420,0 | 16.53 | 3,48 | 2.68 |
| GH466-24 | 38 | 38,1 | 1.50 | 50,8 | 2.31 | 420,0 | 6100 | 1680,0 | 24400 | 500,0 | 19.69 | 4,63 | 3.11 |

Construction

- Synthetic rubber tube,
- 6 high tensile spiral wire layers reinforcement
- Synthetic DURA-TUFF rubber cover for excellent abrasion resistance

Operating temperature range

-40°C to +121°C
(-40°F to +250°F)

Application

- High pressure hydraulic systems with extreme pressure peaks. For use with petroleum and water based fluids
- MSHA

Fitting Reference

| Hose size | Series |
|-----------|--------|
| -20 | 6S |
| -24 | 6S |

4S/6S Fitting series

4S Fittings

For use with hoses:

EC525-12,-16,-20,-24,-32; GH493-12,-16,-20,-24,-32;
 FC636-12,-16,-20,-24,-32;
 FC736-12,-16,-20,-24,-32; FC500-12,-16,-20,-24;
 FC273B-12,-16;
 GH506-12,-16,-20,-24,-32; FC254-12,-16,-20,-24,-32;
 EC810-12,-16;

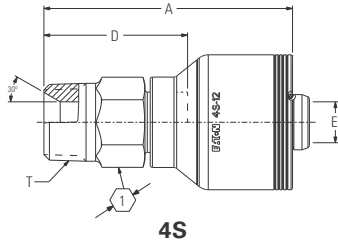
6S Fittings

For use with hoses:

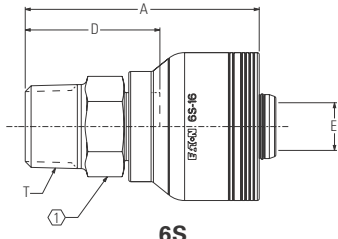
FC500-32;
 FC273B-20,-24,-32;
 FC606-16,-20,-24;
 EC810-20,-24,-32;
 GH466-20,-24

Male Pipe NPTF - Rigid (MP)

Straight



4S

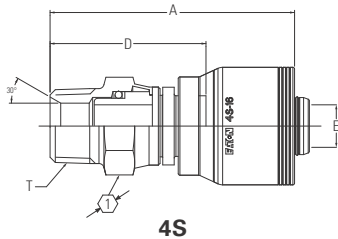


6S

| # Part Number | Terminal End Dash size | Hose Size | | Thread | A | | D | | E Ø | | 1 |
|------------------|---------------------------|-----------|------------------|--------------|-----------|-----------|-----------|-----------|-----------|-----------|-----------|
| | | DN | Dash size | | in | mm | in | mm | in | mm | |
| 4SA8MP12 | -8 | 19 | -12 | 1/2-14 | 84,6 | 3.33 | 48,4 | 1.90 | 14,2 | 0.56 | 7/8 |
| 4SA12MP12 | -12 | 19 | -12 | 3/4-14 | 85,9 | 3.38 | 49,6 | 1.95 | 14,2 | 0.56 | 1 1/16 |
| 4SA16MP12 | -16 | 19 | -12 | 1-11 1/2 | 84,8 | 3.34 | 48,6 | 1.91 | 14,2 | 0.56 | 1 3/8 |
| 4SA12MP16 | -12 | 25 | -16 | 3/4-14 | 89,1 | 3.51 | 49,2 | 1.94 | 19,2 | 0.75 | 1 3/8 |
| 4SA16MP16 | -16 | 25 | -16 | 1-11 1/2 | 94,0 | 3.70 | 54,1 | 2.13 | 19,2 | 0.75 | 1 3/8 |
| 4SA20MP16 | -20 | 25 | -16 | 1 1/4-11 1/2 | 90,4 | 3.56 | 50,5 | 1.99 | 19,2 | 0.75 | 1 11/16 |
| 4SA16MP20 | -16 | 31 | -20 | 1-11 1/2 | 107,6 | 4.24 | 52,5 | 2.07 | 25,2 | 0.99 | 1 7/16 |
| 4SA20MP20 | -20 | 31 | -20 | 1 1/4-11 1/2 | 119,6 | 4.71 | 64,4 | 2.54 | 25,2 | 0.99 | 1 11/16 |
| 4SA24MP24 | -24 | 38 | -24 | 1 1/2-11 1/2 | 143,2 | 5.64 | 65,2 | 2.57 | 31,1 | 1.22 | 2 |
| 4SA32MP32 | -32 | 51 | -32 | 2-11 1/2 | 150,1 | 5.91 | 72,1 | 2.84 | 42,1 | 1.66 | 2 1/2 |
| 6S | Dash size | DN | Dash size | in | mm | in | mm | in | mm | in | in |
| 6SA16MP16 | -16 | 25 | -16 | 1-11 1/2 | 94,0 | 3.70 | 54,1 | 2.13 | 19,2 | 0.75 | 1 3/8 |
| 6SA20MP20 | -20 | 31 | -20 | 1 1/4-11 1/2 | 120,4 | 4.74 | 64,4 | 2.54 | 25,2 | 0.99 | 1 11/16 |
| 6SA24MP24 | -24 | 38 | -24 | 1 1/2-11 1/2 | 143,2 | 5.64 | 65,2 | 2.57 | 31,1 | 1.22 | 2 |
| 6SA32MP32 | -32 | 51 | -32 | 2-11 1/2 | 150,1 | 5.91 | 72,1 | 2.84 | 42,1 | 1.66 | 2 1/2 |

Male Pipe NPTF - Swivel (PS)

Straight

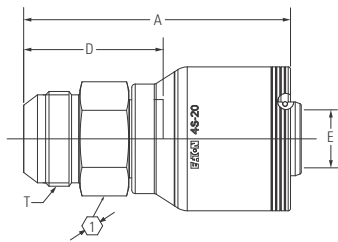


4S

| # Part Number | Terminal End Dash size | Hose Size | | Thread | A | | D | | E Ø | | 1 |
|------------------|---------------------------|-----------|-----------|----------|-------|------|------|------|------|------|-------|
| | | DN | Dash size | | in | mm | in | mm | in | mm | |
| 4SA16PS16 | -16 | 25 | -16 | 1-11 1/2 | 110,2 | 4.34 | 70,1 | 2.76 | 19,2 | 0.75 | 1 1/2 |

Male JIC/37° - Rigid (MJ)

Straight



4S

| # Part Number | Terminal End Dash size | Hose Size | | Thread | A | | D | | E Ø | | 1 |
|------------------|---------------------------|-----------|-----------|-----------|-------|------|------|------|------|------|---------|
| | | DN | Dash size | | in | mm | in | mm | in | mm | |
| 4SA10MJ12 | -10 | 19 | -12 | 7/8-14 | 84,3 | 3.32 | 48,2 | 1.90 | 12,3 | 0.48 | 15/16 |
| 4SA12MJ12 | -12 | 19 | -12 | 1 1/16-12 | 86,9 | 3.42 | 50,8 | 2.00 | 14,2 | 0.56 | 1 1/8 |
| 4SA14MJ12 | -14 | 19 | -12 | 1 3/16-12 | 83,1 | 3.27 | 47,0 | 1.85 | 14,2 | 0.56 | 1 1/4 |
| 4SA16MJ12 | -16 | 19 | -12 | 1 5/16-12 | 83,6 | 3.29 | 47,5 | 1.87 | 14,2 | 0.56 | 1 3/8 |
| 4SA16MJ16 | -16 | 25 | -16 | 1 5/16-12 | 93,7 | 3.69 | 54,0 | 2.13 | 19,2 | 0.75 | 1 3/8 |
| 4SA20MJ16 | -20 | 25 | -16 | 1 5/8-12 | 99,6 | 3.92 | 60,0 | 2.36 | 19,2 | 0.76 | 1 11/16 |
| 4SA20MJ20 | -20 | 31 | -20 | 1 5/8-12 | 115,7 | 4.56 | 60,5 | 2.38 | 25,2 | 0.99 | 1 11/16 |
| 4SA24MJ24 | -24 | 38 | -24 | 1 7/8-12 | 151,3 | 5.96 | 73,3 | 2.89 | 31,1 | 1.22 | 2 |
| 4SA32MJ32 | -32 | 51 | -32 | 2 1/2-12 | 163,8 | 6.45 | 85,8 | 3.38 | 42,1 | 1.66 | 2 5/8 |

⚠ Refer to note below.

⚠ When assembled with all Eaton components, all SAE 37° JIC male and female terminal ends in the 4S & 6S product line are rated at the pressures listed in the table above and have passed one million impulse cycles at 133% of this pressure. All straight configurations achieve a 4:1 burst. The 45° and 90° elbow configurations in the -12 size meet a 3.2:1 burst the 45° and 90° elbow configurations in the -16 size achieve a 2.8:1 burst; the 45° and 90° elbow configurations in the -20 size meet a 4:1 burst and the 45° & 90° elbow configurations in the -24 size meet a 2.4:1 burst.

4S/6S Fitting series

4S Fittings

For use with hoses:

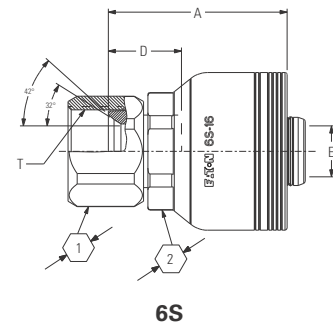
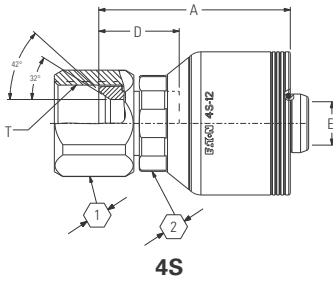
EC525-12,-16,-20,-24,-32; GH493-12,-16,-20,-24,-32;
 FC636-12,-16,-20,-24,-32;
 FC736-12,-16,-20,-24,-32; FC500-12,-16,-20,-24;
 FC273B-12,-16;
 GH506-12,-16,-20,-24,-32; FC254-12,-16,-20,-24,-32;
 EC810-12,-16;

6S Fittings

For use with hoses:

FC500-32;
 FC273B-20,-24,-32;
 FC606-16,-20,-24;
 EC810-20,-24,-32;
 GH466-20,-24

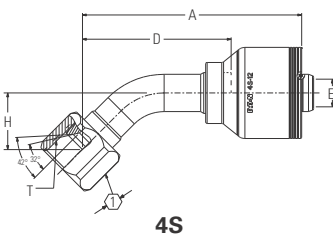
Female JIC/37° Swivel (FJ) Straight



| # Part Number | Terminal End | Hose Size | | Thread | A | | D | | E Ø | | 1 | | 2 |
|------------------|------------------|-----------|------------------|-----------|-----------|-----------|-----------|-----------|-----------|-----------|-----------|-----------|-----------|
| | | DN | Dash size | | in | mm | in | mm | in | mm | in | mm | |
| 4S | Dash size | DN | Dash size | in | mm | in | mm | in | mm | in | mm | in | in |
| 4SA10FJ12 | -10 | 19 | -12 | 7/8-14 | 75,0 | 2.95 | 38,8 | 1.53 | 12,3 | 0.48 | 30,0 | 1 3/16 | 1 |
| 4SA12FJ12 | -12 | 19 | -12 | 1 1/16-12 | 82,0 | 3.23 | 45,7 | 1.80 | 14,2 | 0.56 | 30,0 | 1 3/16 | 1 1/4 |
| 4SA14FJ12 | -14 | 19 | -12 | 1 3/16-12 | 77,5 | 3.05 | 41,3 | 1.63 | 14,2 | 0.56 | 30,0 | 1 3/16 | 1 3/8 |
| 4SA16FJ12 | -16 | 19 | -12 | 1 5/16-12 | 80,2 | 3.16 | 44,0 | 1.73 | 14,2 | 0.56 | 30,0 | 1 3/16 | 1 1/2 |
| 4SA12FJ16 | -12 | 25 | -16 | 1 1/16-12 | 78,8 | 3.10 | 39,1 | 1.54 | 15,5 | 0.61 | 41,0 | 1 5/8 | 1 1/4 |
| 4SA16FJ16 | -16 | 25 | -16 | 1 5/16-12 | 89,2 | 3.51 | 49,3 | 1.94 | 19,2 | 0.76 | 41,0 | 1 5/8 | 1 1/2 |
| 4SA20FJ16 | -20 | 25 | -16 | 1 5/8-12 | 85,8 | 3.38 | 46,0 | 1.81 | 19,2 | 0.76 | 41,0 | 1 5/8 | 2 |
| 4SA16FJ20 | -16 | 31 | -20 | 1 5/16-12 | 99,1 | 3.90 | 43,7 | 1.72 | 25,2 | 0.99 | 46,0 | 1 13/16 | 1 1/2 |
| 4SA20FJ20 | -20 | 31 | -20 | 1 5/8-12 | 101,6 | 4.00 | 46,3 | 1.82 | 25,2 | 0.99 | 46,0 | 1 13/16 | 2 |
| 4SA24FJ20 | -24 | 31 | -20 | 1 7/8-12 | 106,8 | 4.20 | 51,5 | 2.03 | 25,2 | 0.99 | 46,0 | 1 13/16 | 2 1/4 |
| 4SA24FJ24 | -24 | 38 | -24 | 1 7/8-12 | 134,9 | 5.31 | 56,8 | 2.24 | 31,1 | 1.22 | 57,0 | 2 1/4 | 2 1/4 |
| 4SA32FJ32 | -32 | 51 | -32 | 2 1/2-12 | 146,0 | 5.75 | 68,0 | 2.68 | 42,1 | 1.66 | | | 2 7/8 |
| 6S | Dash size | DN | Dash size | in | mm | in | mm | in | mm | in | mm | in | in |
| 6SA16FJ16 | -16 | 25 | -16 | 1 5/16-12 | 89,2 | 3.51 | 49,3 | 1.94 | 19,2 | 0.76 | 41,0 | 1 5/8 | 1 1/2 |
| 6SA20FJ20 | -20 | 31 | -20 | 1 5/8-12 | 102,3 | 4.03 | 46,3 | 1.82 | 25,2 | 0.99 | 46,0 | 1 13/16 | 2 |
| 6SA24FJ20 | -24 | 31 | -20 | 1 7/8-12 | 107,5 | 4.23 | 51,5 | 2.03 | 25,2 | 0.99 | 46,0 | 1 13/16 | 2 1/4 |
| 6SA24FJ24 | -24 | 38 | -24 | 1 7/8-12 | 134,9 | 5.31 | 56,8 | 2.24 | 31,1 | 1.22 | 57,0 | 2 1/4 | 2 1/4 |
| 6SA32FJ32 | -32 | 51 | -32 | 2 1/2-12 | 146,0 | 5.75 | 68,0 | 2.68 | 42,1 | 1.66 | | | 2 7/8 |

⚠ Refer to note below.

Female JIC/37° Swivel (FJA) 45° Elbow



| # Part Number | Terminal End | Hose Size | | Thread | A | | D | | E Ø | | H | | 1 |
|------------------|------------------|-----------|------------------|-----------|-----------|-----------|-----------|-----------|-----------|-----------|-----------|-----------|-----------|
| | | DN | Dash size | | in | mm | in | mm | in | mm | in | mm | |
| 4S | Dash size | DN | Dash size | in | mm | in | mm | in | mm | in | mm | in | in |
| 4SA12FJA12 | -12 | 19 | -12 | 1 1/16-12 | 112,3 | 4.42 | 76,1 | 3.00 | 14,2 | 0.56 | 29,0 | 1.14 | 1 1/4 |
| 4SA16FJA12 | -16 | 19 | -12 | 1 5/16-12 | 133,6 | 5.26 | 97,5 | 3.84 | 14,2 | 0.56 | 38,0 | 1.50 | 1 1/2 |
| 4SA16FJA16 | -16 | 25 | -16 | 1 5/16-12 | 128,8 | 5.07 | 89,3 | 3.52 | 19,2 | 0.76 | 38,0 | 1.50 | 1 1/2 |
| 4SA20FJA16 | -20 | 25 | -16 | 1 5/8-12 | 120,1 | 4.73 | 80,4 | 3.17 | 19,2 | 0.75 | 32,0 | 1.26 | 2 |
| 4SA20FJA20 | -20 | 31 | -20 | 1 5/8-12 | 135,6 | 5.34 | 80,4 | 3.17 | 25,2 | 0.99 | 32,0 | 1.26 | 2 |
| 4SA24FJA24 | -24 | 38 | -24 | 1 7/8-12 | 212,0 | 8.35 | 134,0 | 5.28 | 31,1 | 1.22 | 43,0 | 1.69 | 2 1/4 |
| 6S | Dash size | DN | Dash size | in | mm | in | mm | in | mm | in | mm | in | in |
| 6SA20FJA20 | -20 | 31 | -20 | 1 5/8-12 | 136,4 | 5.37 | 80,4 | 3.17 | 25,2 | 0.99 | 32,0 | 1.26 | 2 |
| 6SA24FJA24 | -24 | 38 | -24 | 1 7/8-12 | 212,0 | 8.35 | 134,0 | 5.28 | 31,1 | 1.22 | 43,0 | 1.69 | 2 1/4 |

⚠ Refer to note below.

⚠ When assembled with all Eaton components, all SAE 37° JIC male and female terminal ends in the 4S & 6S product line are rated at the pressures listed in the table above and have passed one million impulse cycles at 133% of this pressure. All straight configurations achieve a 4:1 burst. The 45° and 90° elbow configurations in the -12 size meet a 3.2:1 burst the 45° and 90° elbow configurations in the -16 size achieve a 2.8:1 burst; the 45° and 90° elbow configurations in the -20 size meet a 4:1 burst and the 45° & 90° elbow configurations in the -24 size meet a 2.4:1 burst.

4S/6S Fitting series

4S Fittings

For use with hoses:

EC525-12,-16,-20,-24,-32; GH493-12,-16,-20,-24,-32;
 FC636-12,-16,-20,-24,-32;
 FC736-12,-16,-20,-24,-32; FC500-12,-16,-20,-24;
 FC273B-12,-16;
 GH506-12,-16,-20,-24,-32; FC254-12,-16,-20,-24,-32;
 EC810-12,-16;

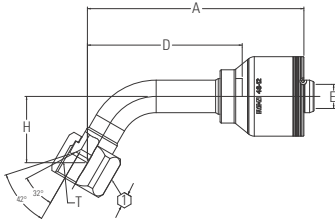
6S Fittings

For use with hoses:

FC500-32;
 FC273B-20,-24,-32;
 FC606-16,-20,-24;
 EC810-20,-24,-32;
 GH466-20,-24

Female JIC/37° Swivel (FJG)

60° Elbow



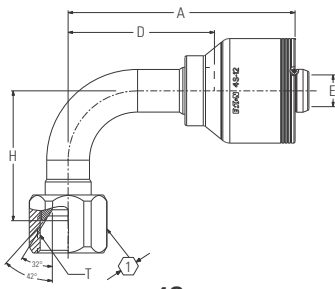
4S

| # Part Number | Terminal End Dash size | Hose Size | | Thread in | A | | D | | E Ø | | H | | 1 |
|------------------|---------------------------|-----------|-----------|--------------|-------|------|-------|------|------|------|------|------|-------|
| | | DN | Dash size | | mm | in | mm | in | mm | in | mm | in | |
| 4SA12FJG12 | -12 | 19 | -12 | 1 1/16-12 | 127,0 | 5.00 | 90,8 | 3.58 | 14,2 | 0.56 | 38,9 | 1.53 | 1 1/4 |
| 4SA16FJG16 | -16 | 25 | -16 | 1 5/16-12 | 144,4 | 5.69 | 104,8 | 4.12 | 19,2 | 0.76 | 47,6 | 1.87 | 1 1/2 |

⚠ Refer to note below.

Female JIC/37° Swivel (FJB)

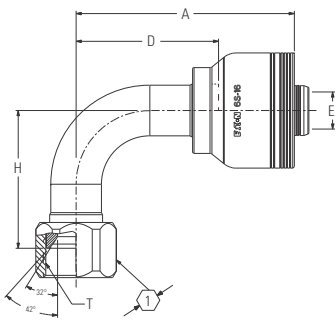
90° Elbow



4S

| # Part Number | Terminal End Dash size | Hose Size | | Thread in | A | | D | | E Ø | | H | | 1 |
|------------------|---------------------------|-----------|-----------|--------------|-------|------|-------|------|------|------|-------|------|-------|
| | | DN | Dash size | | mm | in | mm | in | mm | in | mm | in | |
| 4SA12FJB12 | -12 | 19 | -12 | 1 1/16-12 | 101,3 | 3.99 | 65,3 | 2.57 | 14,2 | 0.56 | 58,0 | 2.28 | 1 1/4 |
| 4SA16FJB12 | -16 | 19 | -12 | 1 5/16-12 | 110,0 | 4.33 | 73,8 | 2.91 | 14,2 | 0.56 | 71,0 | 2.80 | 1 1/2 |
| 4SA16FJB16 | -16 | 25 | -16 | 1 5/16-12 | 113,1 | 4.45 | 73,5 | 2.89 | 19,2 | 0.76 | 71,0 | 2.80 | 1 1/2 |
| 4SA20FJB16 | -20 | 25 | -16 | 1 5/8-12 | 117,1 | 4.61 | 77,4 | 3.05 | 19,2 | 0.75 | 78,0 | 3.07 | 2 |
| 4SA20FJB20 | -20 | 31 | -20 | 1 5/8-12 | 132,6 | 5.22 | 77,4 | 3.05 | 25,2 | 0.99 | 78,0 | 3.07 | 2 |
| 4SA24FJB24 | -24 | 38 | -24 | 1 7/8-12 | 208,9 | 8.22 | 130,8 | 5.15 | 31,1 | 1.22 | 104,0 | 4.09 | 2 1/4 |
| # Part Number | Terminal End Dash size | DN | Dash size | in | mm | in | mm | in | mm | in | mm | in | in |
| 6SA16FJB16 | -16 | 25 | -16 | 1 5/16-12 | 113,1 | 4.45 | 73,5 | 2.89 | 19,0 | 0.75 | 71,0 | 2.80 | 1 1/2 |
| 6SA20FJB20 | -20 | 31 | -20 | 1 5/8-12 | 133,4 | 5.25 | 77,4 | 3.05 | 25,2 | 0.99 | 78,0 | 3.07 | 2 |
| 6SA24FJB24 | -24 | 38 | -24 | 1 7/8-12 | 208,9 | 8.22 | 130,8 | 5.15 | 31,1 | 1.22 | 104,0 | 4.09 | 2 1/4 |

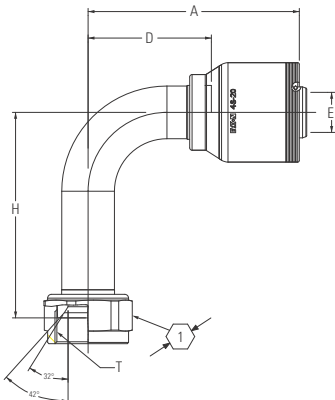
⚠ Refer to note below.



6S

Female JIC/37° Swivel (FJC)

90° Elbow - Long Drop



4S

| # Part Number | Terminal End Dash size | Hose Size | | Thread in | A | | D | | E Ø | | H | | 1 |
|------------------|---------------------------|-----------|-----------|--------------|-------|------|------|------|------|------|-------|------|-------|
| | | DN | Dash size | | mm | in | mm | in | mm | in | mm | in | |
| 4SA12FJC12 | -12 | 19 | -12 | 1 1/16-12 | 101,3 | 3.99 | 65,3 | 2.57 | 14,2 | 0.56 | 96,0 | 3.78 | 1 1/4 |
| 4SA16FJC16 | -16 | 25 | -16 | 1 5/16-12 | 112,5 | 4.43 | 73,5 | 2.89 | 19,0 | 0.75 | 114,0 | 4.49 | 1 1/2 |
| 4SA20FJC20 | -20 | 31 | -20 | 1 5/8-12 | 132,6 | 5.22 | 77,4 | 3.05 | 25,2 | 0.99 | 129,0 | 5.08 | 2 |

⚠ Refer to note below.

⚠ When assembled with all Eaton components, all SAE 37° JIC male and female terminal ends in the 4S & 6S product line are rated at the pressures listed in the table above and have passed one million impulse cycles at 133% of this pressure. All straight configurations achieve a 4:1 burst. The 45° and 90° elbow configurations in the -12 size meet a 3.2:1 burst the 45° and 90° elbow configurations in the -16 size achieve a 2.8:1 burst; the 45° and 90° elbow configurations in the -20 size meet a 4:1 burst and the 45° & 90° elbow configurations in the -24 size meet a 2.4:1 burst.

4S/6S Fitting series

4S Fittings

For use with hoses:

EC525-12,-16,-20,-24,-32; GH493-12,-16,-20,-24,-32;
 FC636-12,-16,-20,-24,-32;
 FC736-12,-16,-20,-24,-32; FC500-12,-16,-20,-24;
 FC273B-12,-16;
 GH506-12,-16,-20,-24,-32; FC254-12,-16,-20,-24,-32;
 EC810-12,-16;

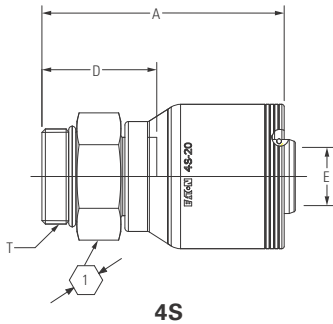
6S Fittings

For use with hoses:

FC500-32;
 FC273B-20,-24,-32;
 FC606-16,-20,-24;
 EC810-20,-24,-32;
 GH466-20,-24

Male Oring Boss - Rigid (MB)

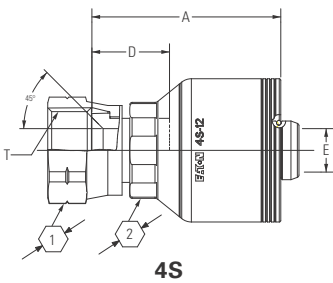
Straight



| # Part Number | Terminal End | Hose Size | | Thread | A | | D | | E Ø | | 1 |
|------------------|--------------|-----------|-----------|-----------|-------|------|------|------|------|------|-------|
| | | DN | Dash size | | mm | in | mm | in | mm | in | |
| 4SA12MB12 | -12 | 19 | -12 | 1 1/16-12 | 78,7 | 3.10 | 42,5 | 1.67 | 14,2 | 0.56 | 1 1/4 |
| 4SA16MB16 | -16 | 25 | -16 | 1 5/16-12 | 88,1 | 3.47 | 48,5 | 1.91 | 19,2 | 0.76 | 1 1/2 |
| 4SA20MB20 | -20 | 31 | -20 | 1 5/8-12 | 109,5 | 4.31 | 54,4 | 2.14 | 25,2 | 0.99 | 1 7/8 |
| 4SA24MB24 | -24 | 38 | -24 | 1 7/8-12 | 134,1 | 5.28 | 56,0 | 2.21 | 31,1 | 1.22 | 2 1/8 |

Female SAE 45° Flare Swivel (FS)

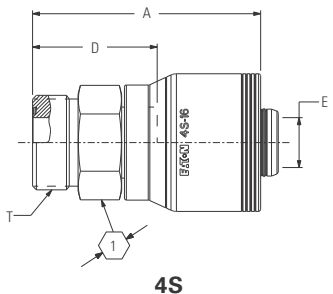
Straight



| # Part Number | Terminal End | Hose Size | | Thread | A | | D | | E Ø | | 1 | 2 |
|------------------|--------------|-----------|-----------|-----------|------|------|------|------|------|------|-------|--------|
| | | DN | Dash size | | mm | in | mm | in | mm | in | | |
| 4SA12FS12 | -12 | 19 | -12 | 1 1/16-14 | 61,5 | 2.42 | 25,4 | 1.00 | 14,2 | 0.56 | 1 1/4 | 1 3/16 |

Male ORS - Rigid (MR)

Straight



| # Part Number | Terminal End | Hose Size | | Thread | A | | D | | E Ø | | 1 |
|------------------|--------------|-----------|-----------|------------|-------|------|------|------|------|------|-------|
| | | DN | Dash size | | mm | in | mm | in | mm | in | |
| 4SA12MR12 | -12 | 19 | -12 | 1 3/16-12 | 80,8 | 3.18 | 44,4 | 1.75 | 14,2 | 0.56 | 1 1/4 |
| 4SA16MR12 | -16 | 19 | -12 | 1 7/16-12 | 78,2 | 3.08 | 41,9 | 1.65 | 14,2 | 0.56 | 1 1/2 |
| 4SA16MR16 | -16 | 25 | -16 | 1 7/16-12 | 87,7 | 3.45 | 47,9 | 1.89 | 19,2 | 0.76 | 1 1/2 |
| 4SA20MR16 | -20 | 25 | -16 | 1 11/16-12 | 81,1 | 3.19 | 41,5 | 1.63 | 19,2 | 0.76 | 1 3/4 |
| 4SA20MR20 | -20 | 31 | -20 | 1 11/16-12 | 107,1 | 4.22 | 52,0 | 2.05 | 25,2 | 0.99 | 1 3/4 |

4S/6S Fitting series

4S Fittings

For use with hoses:

EC525-12,-16,-20,-24,-32; GH493-12,-16,-20,-24,-32;
 FC636-12,-16,-20,-24,-32;
 FC736-12,-16,-20,-24,-32; FC500-12,-16,-20,-24;
 FC273B-12,-16;
 GH506-12,-16,-20,-24,-32; FC254-12,-16,-20,-24,-32;
 EC810-12,-16;

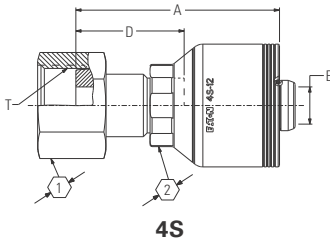
6S Fittings

For use with hoses:

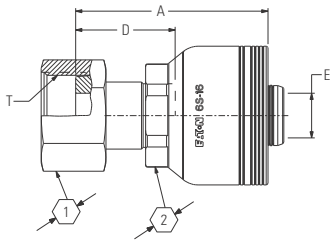
FC500-32;
 FC273B-20,-24,-32;
 FC606-16,-20,-24;
 EC810-20,-24,-32;
 GH466-20,-24

Female ORS Swivel (FR)

Straight



4S

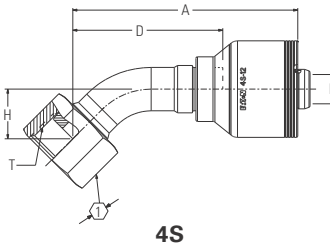


6S

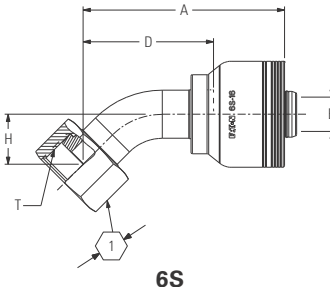
| # Part Number | Terminal End Dash size | Hose Size | | Thread in | A | | D | | E Ø | | 1 | | 2 |
|------------------|---------------------------|-----------|-----------|--------------|-------|------|------|------|------|------|------|---------|-------|
| | | DN | Dash size | | mm | in | mm | in | mm | in | mm | in | |
| 4SA10FR12 | -10 | 19 | -12 | 1 - 14 | 74,4 | 2.93 | 38,1 | 1.50 | 14,2 | 0.56 | 30,0 | 1 3/16 | 1 1/8 |
| 4SA12FR12 | -12 | 19 | -12 | 1 3/16-12 | 77,4 | 3.05 | 41,2 | 1.62 | 14,2 | 0.56 | 30,0 | 1 3/16 | 1 3/8 |
| 4SA16FR12 | -16 | 19 | -12 | 1 7/16-12 | 79,2 | 3.12 | 43,1 | 1.70 | 14,2 | 0.56 | 30,0 | 1 3/16 | 1 5/8 |
| 4SA12FR16 | -12 | 25 | -16 | 1 3/16-12 | 80,5 | 3.17 | 40,8 | 1.61 | 19,2 | 0.76 | 41,0 | 1 5/8 | 1 3/8 |
| 4SA16FR16 | -16 | 25 | -16 | 1 7/16-12 | 82,4 | 3.24 | 42,6 | 1.68 | 19,2 | 0.76 | 41,0 | 1 5/8 | 1 5/8 |
| 4SA20FR16 | -20 | 25 | -16 | 1 11/16-12 | 82,4 | 3.24 | 42,7 | 1.68 | 19,2 | 0.76 | 41,0 | 1 5/8 | 1 7/8 |
| 4SA20FR20 | -20 | 31 | -20 | 1 11/16-12 | 99,0 | 3.90 | 43,8 | 1.72 | 25,2 | 0.99 | 46,0 | 1 13/16 | 1 7/8 |
| 4SA24FR24 | -24 | 38 | -24 | 2 - 12 | 125,7 | 4.95 | 47,6 | 1.87 | 31,1 | 1.22 | 57,0 | 2 1/4 | 2 1/4 |
| 6SA16FR16 | -16 | 25 | -16 | 1 7/16-12 | 82,4 | 3.24 | 42,6 | 1.68 | 19,2 | 0.76 | 41,0 | 1 5/8 | 1 5/8 |
| 6SA20FR16 | -20 | 25 | -16 | 1 11/16-12 | 82,4 | 3.24 | 42,7 | 1.68 | 19,2 | 0.76 | 41,0 | 1 5/8 | 1 7/8 |
| 6SA20FR20 | -20 | 31 | -20 | 1 11/16-12 | 99,8 | 3.93 | 43,8 | 1.72 | 25,2 | 0.99 | 46,0 | 1 13/16 | 1 7/8 |
| 6SA24FR24 | -24 | 38 | -24 | 2 - 12 | 125,7 | 4.95 | 47,6 | 1.87 | 31,1 | 1.22 | 57,0 | 2 1/4 | 2 1/4 |

Female ORS Swivel (FRA)

45° Elbow



4S



6S

| # Part Number | Terminal End Dash size | Hose Size | | Thread in | A | | D | | E Ø | | H | | 1 |
|------------------|---------------------------|-----------|-----------|--------------|-------|------|-------|------|------|------|------|------|-------|
| | | DN | Dash size | | mm | in | mm | in | mm | in | mm | in | |
| 4SA12FRA12 | -12 | 19 | -12 | 1 3/16-12 | 108,7 | 4.28 | 72,5 | 2.85 | 14,2 | 0.56 | 24,0 | 0.94 | 1 3/8 |
| 4SA16FRA12 | -16 | 19 | -12 | 1 7/16-12 | 119,9 | 4.72 | 83,7 | 3.30 | 14,2 | 0.56 | 28,0 | 1.10 | 1 5/8 |
| 4SA16FRA16 | -16 | 25 | -16 | 1 7/16-12 | 112,8 | 4.44 | 73,0 | 2.87 | 19,2 | 0.76 | 28,0 | 1.10 | 1 5/8 |
| 4SA20FRA16 | -20 | 25 | -16 | 1 11/16-12 | 136,7 | 5.38 | 97,0 | 3.82 | 19,2 | 0.76 | 31,0 | 1.22 | 1 7/8 |
| 4SA20FRA20 | -20 | 31 | -20 | 1 11/16-12 | 153,4 | 6.04 | 98,1 | 3.86 | 25,2 | 0.99 | 31,0 | 1.22 | 1 7/8 |
| 4SA24FRA24 | -24 | 38 | -24 | 2 - 12 | 212,0 | 8.35 | 134,0 | 5.28 | 31,1 | 1.22 | 43,0 | 1.69 | 2 1/4 |
| 6SA16FRA16 | -16 | 25 | -16 | 1 7/16-12 | 112,8 | 4.44 | 73,0 | 2.87 | 19,2 | 0.76 | 28,0 | 1.10 | 1 5/8 |
| 6SA20FRA16 | -20 | 25 | -16 | 1 11/16-12 | 136,7 | 5.38 | 97,0 | 3.82 | 19,2 | 0.76 | 31,0 | 1.22 | 1 7/8 |
| 6SA20FRA20 | -20 | 31 | -20 | 1 11/16-12 | 154,1 | 6.07 | 98,1 | 3.86 | 25,2 | 0.99 | 31,0 | 1.22 | 1 7/8 |
| 6SA24FRA24 | -24 | 38 | -24 | 2 - 12 | 212,0 | 8.35 | 134,0 | 5.28 | 31,1 | 1.22 | 43,0 | 1.69 | 2 1/4 |

4S/6S Fitting series

4S Fittings

For use with hoses:

EC525-12,-16,-20,-24,-32; GH493-12,-16,-20,-24,-32;
 FC636-12,-16,-20,-24,-32;
 FC736-12,-16,-20,-24,-32; FC500-12,-16,-20,-24;
 FC273B-12,-16;
 GH506-12,-16,-20,-24,-32; FC254-12,-16,-20,-24,-32;
 EC810-12,-16;

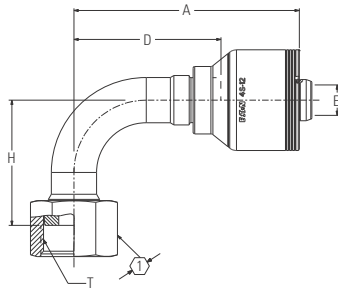
6S Fittings

For use with hoses:

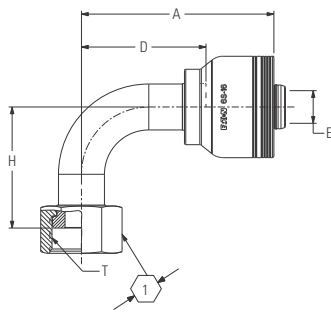
FC500-32;
 FC273B-20,-24,-32;
 FC606-16,-20,-24;
 EC810-20,-24,-32;
 GH466-20,-24

Female ORS Swivel (FRB)

90° Elbow



4S

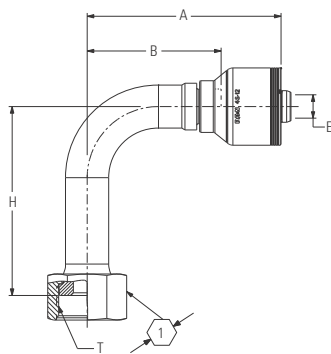


6S

| # Part Number | Terminal End | Hose Size | | Thread | A | | D | | E Ø | | H | | in |
|------------------|-----------------|-----------|-----------|------------|-------|------|-------|------|------|------|-------|------|-------|
| | | DN | Dash size | | in | mm | in | mm | in | mm | in | mm | |
| 4SA10FRB12 | -10 | 19 | -12 | 1 - 14 | 91,5 | 3.60 | 55,3 | 2.18 | 14,2 | 0.56 | 32,3 | 1.27 | 1 1/8 |
| 4SA12FRB12 | -12 | 19 | -12 | 1 3/16-12 | 104,4 | 4.11 | 68,1 | 2.68 | 14,2 | 0.56 | 58,0 | 2.28 | 1 3/8 |
| 4SA16FRB12 | -16 | 19 | -12 | 1 7/16-12 | 117,1 | 4.61 | 80,9 | 3.19 | 14,2 | 0.56 | 71,0 | 2.80 | 1 5/8 |
| 4SA12FRB16 | -12 | 25 | -16 | 1 3/16-12 | 107,5 | 4.23 | 67,7 | 2.67 | 19,2 | 0.76 | 58,0 | 2.28 | 1 3/8 |
| 4SA16FRB16 | -16 | 25 | -16 | 1 7/16-12 | 112,8 | 4.44 | 73,0 | 2.87 | 19,2 | 0.76 | 71,0 | 2.80 | 1 5/8 |
| 4SA20FRB16 | -20 | 25 | -16 | 1 11/16-12 | 136,5 | 5.37 | 96,8 | 3.81 | 19,2 | 0.76 | 78,0 | 3.07 | 1 7/8 |
| 4SA20FRB20 | -20 | 31 | -20 | 1 11/16-12 | 153,1 | 6.03 | 97,9 | 3.85 | 25,2 | 0.99 | 78,0 | 3.07 | 1 7/8 |
| 4SA24FRB20 | -24 | 31 | -20 | 2 - 12 | 152,9 | 6.02 | 97,9 | 3.85 | 25,2 | 0.99 | 86,0 | 3.39 | 2 1/4 |
| 4SA24FRB24 | -24 | 38 | -24 | 2 - 12 | 208,9 | 8.22 | 130,8 | 5.15 | 31,1 | 1.22 | 104,0 | 4.09 | 2 1/4 |
| 6SA16FRB16 | -16 | 25 | -16 | 1 7/16-12 | 112,8 | 4.44 | 73,0 | 2.87 | 19,2 | 0.76 | 71,0 | 2.80 | 1 5/8 |
| 6SA20FRB16 | -20 | 25 | -16 | 1 11/16-12 | 136,5 | 5.37 | 96,8 | 3.81 | 19,2 | 0.76 | 78,0 | 3.07 | 1 7/8 |
| 6SA20FRB20 | -20 | 31 | -20 | 1 11/16-12 | 153,9 | 6.06 | 97,9 | 3.85 | 25,2 | 0.99 | 78,0 | 3.07 | 1 7/8 |
| 6SA24FRB24 | -24 | 38 | -24 | 2 - 12 | 208,9 | 8.22 | 130,8 | 5.15 | 31,1 | 1.22 | 104,0 | 4.09 | 2 1/4 |

Female ORS Swivel (FRC)

90° Elbow - Long Drop



4S

| # Part Number | Terminal End | Hose Size | | Thread | A | | D | | E Ø | | H | | in |
|------------------|-----------------|-----------|-----------|------------|-------|------|------|------|------|------|-------|------|-------|
| | | DN | Dash size | | in | mm | in | mm | in | mm | in | | |
| 4SA10FRC12 | -10 | 19 | -12 | 1 - 14 | 91,5 | 3.60 | 55,3 | 2.18 | 14,2 | 0.56 | 70,0 | 2.76 | 1 1/8 |
| 4SA12FRC12 | -12 | 19 | -12 | 1 3/16-12 | 104,4 | 4.11 | 68,0 | 2.68 | 14,2 | 0.56 | 96,0 | 3.78 | 1 3/8 |
| 4SA16FRC12 | -16 | 19 | -12 | 1 7/16-12 | 117,1 | 4.61 | 80,9 | 3.19 | 14,2 | 0.56 | 114,0 | 4.49 | 1 5/8 |
| 4SA16FRC16 | -16 | 25 | -16 | 1 7/16-12 | 112,8 | 4.44 | 73,0 | 2.87 | 19,2 | 0.76 | 114,0 | 4.49 | 1 5/8 |
| 4SA20FRC20 | -20 | 31 | -20 | 1 11/16-12 | 152,9 | 6.02 | 97,9 | 3.85 | 25,2 | 0.99 | 129,0 | 5.08 | 1 7/8 |
| 4SA24FRC20 | -24 | 31 | -20 | 2 - 12 | 152,9 | 6.02 | 97,9 | 3.85 | 25,2 | 0.99 | 141,0 | 5.55 | 2 1/4 |
| 4SA24FRC24 | -24 | 38 | -24 | 2 - 12 | 152,9 | 6.02 | 97,9 | 3.85 | 25,2 | 0.99 | 141,0 | 5.55 | 2 1/4 |

4S/6S Fitting series

4S Fittings

For use with hoses:

EC525-12,-16,-20,-24,-32; GH493-12,-16,-20,-24,-32;
 FC636-12,-16,-20,-24,-32;
 FC736-12,-16,-20,-24,-32; FC500-12,-16,-20,-24;
 FC273B-12,-16;
 GH506-12,-16,-20,-24,-32; FC254-12,-16,-20,-24,-32;
 EC810-12,-16;

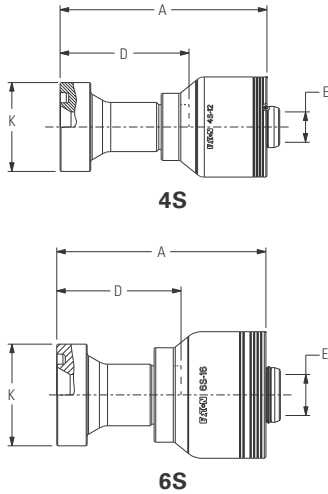
6S Fittings

For use with hoses:

FC500-32;
 FC273B-20,-24,-32;
 FC606-16,-20,-24;
 EC810-20,-24,-32;
 GH466-20,-24

SAE Code 61 Flange (FL)

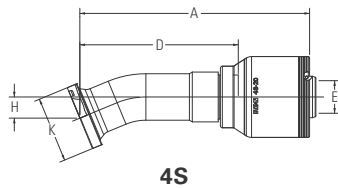
Straight



| # Part Number | Terminal End Dash size | Hose Size | | Flange Head Dia. K Ø | | A | | D | | E Ø | |
|------------------|---------------------------|-----------|-----------|----------------------|------|-------|------|------|------|------|------|
| | | DN | Dash size | mm | in | mm | in | mm | in | mm | in |
| 4S12FL12 | -12 | 19 | -12 | 38,1 | 1.50 | 90,7 | 3.57 | 54,5 | 2.15 | 14,2 | 0.56 |
| 4S16FL12 | -16 | 19 | -12 | 44,5 | 1.75 | 90,2 | 3.55 | 54,0 | 2.13 | 14,2 | 0.56 |
| 4S20FL12 | -20 | 19 | -12 | 50,8 | 2.00 | 97,7 | 3.85 | 61,5 | 2.42 | 14,2 | 0.56 |
| 4S16FL16 | -16 | 25 | -16 | 44,5 | 1.75 | 93,3 | 3.67 | 53,6 | 2.11 | 19,2 | 0.76 |
| 4S20FL16 | -20 | 25 | -16 | 50,8 | 2.00 | 100,8 | 3.97 | 61,1 | 2.41 | 19,2 | 0.76 |
| 4S24FL16 | -24 | 25 | -16 | 60,4 | 2.38 | 97,4 | 3.83 | 57,7 | 2.27 | 19,2 | 0.76 |
| 4S16FL20 | -16 | 31 | -20 | 44,5 | 1.75 | 110,5 | 4.35 | 55,5 | 2.18 | 25,2 | 0.99 |
| 4S20FL20 | -20 | 31 | -20 | 50,8 | 2.00 | 117,4 | 4.62 | 62,2 | 2.45 | 25,2 | 0.99 |
| 4S24FL20 | -24 | 31 | -20 | 60,4 | 2.38 | 106,7 | 4.20 | 51,6 | 2.03 | 25,2 | 0.99 |
| 4S32FL20 | -32 | 31 | -20 | 71,4 | 2.81 | 104,9 | 4.13 | 49,9 | 1.96 | 25,2 | 0.99 |
| 4S24FL24 | -24 | 38 | -24 | 60,4 | 2.38 | 171,6 | 6.75 | 93,6 | 3.68 | 31,1 | 1.22 |
| 4S32FL24 | -32 | 38 | -24 | 71,4 | 2.81 | 174,7 | 6.88 | 96,7 | 3.81 | 31,1 | 1.22 |
| 4S32FL32 | -32 | 51 | -32 | 71,4 | 2.81 | 177,5 | 6.99 | 99,5 | 3.92 | 42,1 | 1.66 |
| 6S | Dash size | DN | Dash size | mm | in | mm | in | mm | in | mm | in |
| 6S16FL16 | -16 | 25 | -16 | 44,5 | 1.75 | 93,3 | 3.67 | 53,6 | 2.11 | 19,2 | 0.76 |
| 6S20FL20 | -20 | 31 | -20 | 50,8 | 2.00 | 118,2 | 4.65 | 62,2 | 2.45 | 25,2 | 0.99 |
| 6S24FL24 | -24 | 38 | -24 | 60,4 | 2.38 | 171,6 | 6.75 | 93,6 | 3.68 | 31,1 | 1.22 |
| 6S32FL24 | -32 | 38 | -24 | 71,4 | 2.81 | 174,7 | 6.88 | 96,7 | 3.81 | 31,1 | 1.22 |
| 6S32FL32 | -32 | 51 | -32 | 71,4 | 2.81 | 177,5 | 6.99 | 99,5 | 3.92 | 42,1 | 1.66 |

SAE Code 61 Flange (FLD)

22.5° Elbow



| # Part Number | Terminal End Dash size | Hose Size | | Flange Head Dia. K Ø | | A | | D | | E Ø | | H | |
|------------------|---------------------------|-----------|-----------|----------------------|------|-------|-------|-------|------|------|------|------|------|
| | | DN | Dash size | mm | in | mm | in | mm | in | mm | in | mm | in |
| 4S12FLD12 | -12 | 19 | -12 | 38,1 | 1.50 | 121,3 | 4.78 | 85,1 | 3.35 | 14,2 | 0.56 | 11,6 | 0.46 |
| 4S16FLD12 | -16 | 25 | -12 | 44,4 | 1.75 | 136,7 | 5.38 | 100,5 | 3.96 | 14,2 | 0.56 | 13,5 | 0.53 |
| 4S16FLD16 | -16 | 25 | -16 | 44,4 | 1.75 | 139,8 | 5.50 | 100,1 | 3.94 | 19,2 | 0.76 | 13,5 | 0.53 |
| 4S20FLD16 | -20 | 25 | -16 | 50,8 | 2.00 | 160,9 | 6.33 | 121,2 | 4.77 | 19,2 | 0.76 | 16,3 | 0.64 |
| 4S20FLD20 | -20 | 31 | -20 | 50,8 | 2.00 | 177,3 | 6.98 | 122,3 | 4.81 | 25,2 | 0.99 | 16,3 | 0.64 |
| 4S24FLD20 | -24 | 31 | -20 | 60,4 | 2.38 | 173,6 | 6.83 | 117,6 | 4.63 | 25,2 | 0.99 | 17,1 | 0.67 |
| 4S24FLD24 | -24 | 38 | -24 | 60,3 | 2.37 | 226,4 | 8.91 | 148,4 | 5.84 | 31,1 | 1.22 | 18,8 | 0.74 |
| 4S32FLD24 | -32 | 38 | -24 | 71,4 | 2.81 | 266,7 | 10.50 | 188,7 | 7.43 | 31,1 | 1.22 | 23,5 | 0.93 |
| 4S32FLD32 | -32 | 51 | -32 | 71,4 | 2.81 | 269,6 | 10.61 | 191,5 | 7.54 | 42,1 | 1.66 | 23,5 | 0.93 |

4S/6S Fitting series

4S Fittings

For use with hoses:

EC525-12,-16,-20,-24,-32; GH493-12,-16,-20,-24,-32;
 FC636-12,-16,-20,-24,-32;
 FC736-12,-16,-20,-24,-32; FC500-12,-16,-20,-24;
 FC273B-12,-16;
 GH506-12,-16,-20,-24,-32; FC254-12,-16,-20,-24,-32;
 EC810-12,-16;

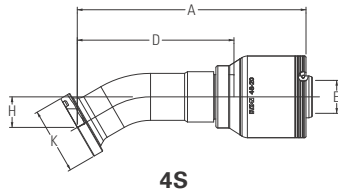
6S Fittings

For use with hoses:

FC500-32;
 FC273B-20,-24,-32;
 FC606-16,-20,-24;
 EC810-20,-24,-32;
 GH466-20,-24

SAE Code 61 Flange (FLF)

30° Elbow

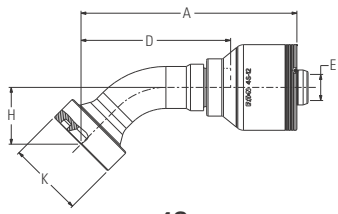


4S

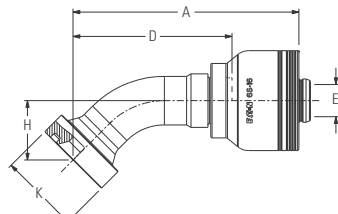
| # Part Number | Terminal End Dash size | Hose Size | | Flange Head Dia. K Ø | | A | | D | | E Ø | | H | |
|------------------|---------------------------|-----------|-----------|----------------------|------|-------|-------|-------|------|------|------|------|------|
| | | DN | Dash size | mm | in | mm | in | mm | in | mm | in | mm | in |
| 4S12FLF12 | -12 | 19 | -12 | 38,1 | 1.50 | 119,4 | 4.70 | 83,3 | 3.28 | 14,2 | 0.56 | 16,4 | 0.65 |
| 4S16FLF12 | -16 | 19 | -12 | 44,4 | 1.75 | 134,6 | 5.30 | 98,4 | 3.87 | 14,2 | 0.56 | 19,3 | 0.76 |
| 4S16FLF16 | -16 | 25 | -16 | 44,4 | 1.75 | 137,7 | 5.42 | 97,9 | 3.85 | 19,2 | 0.76 | 19,3 | 0.76 |
| 4S20FLF16 | -20 | 25 | -16 | 50,8 | 2.00 | 158,3 | 6.23 | 118,6 | 4.67 | 19,2 | 0.76 | 23,3 | 0.92 |
| 4S20FLF20 | -20 | 31 | -20 | 50,8 | 2.00 | 174,7 | 6.88 | 119,7 | 4.71 | 25,2 | 0.99 | 23,3 | 0.92 |
| 4S24FLF20 | -24 | 31 | -20 | 60,4 | 2.38 | 169,9 | 6.69 | 114,9 | 4.52 | 25,2 | 0.99 | 24,1 | 0.95 |
| 4S24FLF24 | -24 | 38 | -24 | 60,3 | 2.37 | 223,4 | 8.80 | 145,4 | 5.72 | 31,1 | 1.22 | 26,8 | 1.06 |
| 4S32FLF32 | -32 | 51 | -32 | 71,4 | 2.81 | 265,9 | 10.47 | 187,8 | 7.39 | 42,1 | 1.66 | 33,9 | 1.34 |

SAE Code 61 Flange (FLA)

45° Elbow



4S

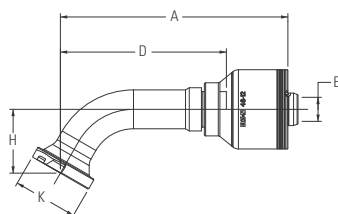


6S

| # Part Number | Terminal End Dash size | Hose Size | | Flange Head Dia. K Ø | | A | | D | | E Ø | | H | |
|------------------|---------------------------|-----------|-----------|----------------------|------|-------|-------|-------|------|------|------|------|------|
| | | DN | Dash size | mm | in | mm | in | mm | in | mm | in | mm | in |
| 4S12FLA12 | -12 | 19 | -12 | 38,1 | 1.50 | 113,8 | 4.48 | 77,6 | 3.06 | 14,2 | 0.56 | 27,0 | 1.06 |
| 4S16FLA12 | -16 | 19 | -12 | 44,4 | 1.75 | 127,9 | 5.04 | 91,7 | 3.61 | 14,2 | 0.56 | 32,0 | 1.26 |
| 4S12FLA16 | -12 | 25 | -16 | 38,1 | 1.50 | 116,9 | 4.60 | 77,2 | 3.04 | 19,2 | 0.76 | 27,0 | 1.06 |
| 4S16FLA16 | -16 | 25 | -16 | 44,4 | 1.75 | 131,0 | 5.16 | 91,3 | 3.59 | 19,2 | 0.76 | 32,0 | 1.26 |
| 4S20FLA16 | -16 | 31 | -20 | 44,4 | 1.75 | 152,1 | 5.99 | 97,0 | 3.82 | 25,2 | 0.99 | 32,0 | 1.26 |
| 4S16FLA20 | -20 | 25 | -16 | 50,8 | 2.00 | 150,2 | 5.91 | 110,5 | 4.35 | 19,2 | 0.76 | 39,0 | 1.54 |
| 4S20FLA20 | -20 | 31 | -20 | 50,8 | 2.00 | 166,8 | 6.57 | 111,6 | 4.39 | 25,2 | 0.99 | 39,0 | 1.54 |
| 4S24FLA20 | -24 | 31 | -20 | 60,4 | 2.38 | 161,6 | 6.36 | 106,6 | 4.20 | 25,2 | 0.99 | 39,5 | 1.34 |
| 4S24FLA24 | -24 | 38 | -24 | 60,3 | 2.37 | 214,3 | 8.44 | 136,3 | 5.37 | 31,1 | 1.22 | 45,0 | 1.77 |
| 4S32FLA24 | -32 | 38 | -24 | 71,4 | 2.81 | 251,0 | 9.88 | 173,0 | 6.81 | 31,1 | 1.22 | 57,5 | 2.26 |
| 4S32FLA32 | -32 | 51 | -32 | 71,4 | 2.81 | 253,9 | 10.00 | 175,9 | 6.92 | 42,1 | 1.66 | 57,5 | 2.26 |
| # | Terminal End | Hose Size | | Flange Head Dia. K Ø | | A | | D | | E Ø | | H | |
| Part Number | Dash size | DN | Dash size | mm | in | mm | in | mm | in | mm | in | mm | in |
| 6S16FLA16 | -16 | 25 | -16 | 44,4 | 1.75 | 131,0 | 5.16 | 91,3 | 3.59 | 19,2 | 0.76 | 32,0 | 1.26 |
| 6S20FLA16 | -20 | 25 | -16 | 50,8 | 2.00 | 150,2 | 5.91 | 110,5 | 4.35 | 19,2 | 0.76 | 39,0 | 1.54 |
| 6S20FLA20 | -20 | 31 | -20 | 50,8 | 2.00 | 167,6 | 6.60 | 111,6 | 4.39 | 25,2 | 0.99 | 39,0 | 1.54 |
| 6S24FLA24 | -24 | 38 | -24 | 60,3 | 2.37 | 214,3 | 8.44 | 136,3 | 5.37 | 31,1 | 1.22 | 45,0 | 1.77 |
| 6S32FLA24 | -32 | 38 | -24 | 71,4 | 2.81 | 251,0 | 9.88 | 173,0 | 6.81 | 31,1 | 1.22 | 57,5 | 2.26 |
| 6S32FLA32 | -32 | 51 | -32 | 71,4 | 2.81 | 253,9 | 10.00 | 175,9 | 6.92 | 42,1 | 1.66 | 57,5 | 2.26 |

SAE Code 61 Flange (FLG)

60° Elbow



4S

| # Part Number | Terminal End Dash size | Hose Size | | Flange Head Dia. K Ø | | A | | D | | E Ø | | H | |
|------------------|---------------------------|-----------|-----------|----------------------|------|-------|-------|-------|------|------|------|------|------|
| | | DN | Dash size | mm | in | mm | in | mm | in | mm | in | mm | in |
| 4S12FLG12 | -12 | 19 | -12 | 38,1 | 1.50 | 133,9 | 5.27 | 97,7 | 3.85 | 14,2 | 0.56 | 37,6 | 1.48 |
| 4S16FLG12 | -16 | 19 | -12 | 44,4 | 1.75 | 153,2 | 6.03 | 117,1 | 4.61 | 14,2 | 0.56 | 44,7 | 1.76 |
| 4S16FLG16 | -16 | 25 | -16 | 44,4 | 1.75 | 156,4 | 6.16 | 116,6 | 4.59 | 19,2 | 0.76 | 44,7 | 1.76 |
| 4S20FLG16 | -20 | 25 | -16 | 50,8 | 2.00 | 183,3 | 7.22 | 143,5 | 5.65 | 19,2 | 0.76 | 55,8 | 2.20 |
| 4S20FLG20 | -20 | 25 | -20 | 50,8 | 2.00 | 199,7 | 7.86 | 144,7 | 5.70 | 25,2 | 0.99 | 55,8 | 2.20 |
| 4S24FLG20 | -24 | 31 | -20 | 60,4 | 2.38 | 188,1 | 7.41 | 133,0 | 5.24 | 25,2 | 0.99 | 51,7 | 2.04 |
| 4S24FLG24 | -24 | 38 | -24 | 60,3 | 2.37 | 253,3 | 9.97 | 175,3 | 6.90 | 31,1 | 1.22 | 65,2 | 2.57 |
| 4S32FLG32 | -32 | 51 | -32 | 71,4 | 2.81 | 309,1 | 12.17 | 231,1 | 9.10 | 42,1 | 1.66 | 85,8 | 3.38 |

4S/6S Fitting series

4S Fittings

For use with hoses:

EC525-12,-16,-20,-24,-32; GH493-12,-16,-20,-24,-32;
 FC636-12,-16,-20,-24,-32;
 FC736-12,-16,-20,-24,-32; FC500-12,-16,-20,-24;
 FC273B-12,-16;
 GH506-12,-16,-20,-24,-32; FC254-12,-16,-20,-24,-32;
 EC810-12,-16;

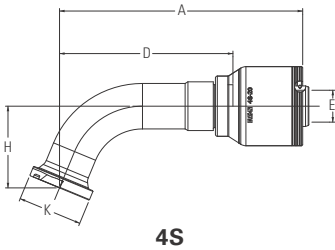
6S Fittings

For use with hoses:

FC500-32;
 FC273B-20,-24,-32;
 FC606-16,-20,-24;
 EC810-20,-24,-32;
 GH466-20,-24

SAE Code 61 Flange (FLE)

67.5° Elbow

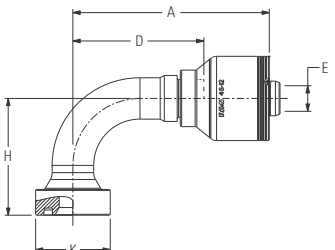


4S

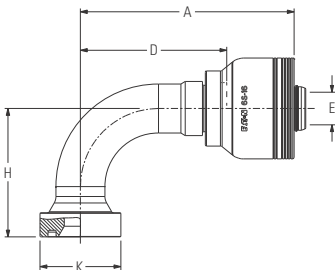
| # Part Number | Terminal End | Hose Size | | Flange Head Dia. K Ø | | A | | D | | E Ø | | H | |
|------------------|-----------------|-----------|--------------|-------------------------|------|-------|-------|-------|------|------|------|------|------|
| | | DN | Dash size | mm | in | mm | in | mm | in | mm | in | mm | in |
| 4S12FLE12 | -12 | 19 | -12 | 38,1 | 1.50 | 128,6 | 5.06 | 92,4 | 3.64 | 14,2 | 0.56 | 43,2 | 1.70 |
| 4S16FLE12 | -16 | 19 | -12 | 44,4 | 1.75 | 147,0 | 5.79 | 110,8 | 4.36 | 14,2 | 0.56 | 51,5 | 2.03 |
| 4S16FLE16 | -16 | 25 | -16 | 44,4 | 1.75 | 150,1 | 5.91 | 110,3 | 4.34 | 19,2 | 0.76 | 51,5 | 2.03 |
| 4S20FLE16 | -20 | 25 | -16 | 50,8 | 2.00 | 175,4 | 6.91 | 135,7 | 5.34 | 19,2 | 0.76 | 64,4 | 2.54 |
| 4S20FLE20 | -20 | 31 | -20 | 50,8 | 2.00 | 191,8 | 7.55 | 136,8 | 5.39 | 25,2 | 0.99 | 64,4 | 2.54 |
| 4S24FLE20 | -24 | 31 | -20 | 60,4 | 2.38 | 180,8 | 7.12 | 125,8 | 4.95 | 25,2 | 0.99 | 59,5 | 2.34 |
| 4S24FLE24 | -24 | 38 | -24 | 60,3 | 2.37 | 244,2 | 9.61 | 166,2 | 6.54 | 31,1 | 1.22 | 75,2 | 2.96 |
| 4S32FLE24 | -32 | 38 | -24 | 71,4 | 2.81 | 294,1 | 11.58 | 216,1 | 8.51 | 31,1 | 1.22 | 99,3 | 3.91 |
| 4S32FLE32 | -32 | 51 | -32 | 71,4 | 2.81 | 297,0 | 11.69 | 219,0 | 8.62 | 42,1 | 1.66 | 99,3 | 3.91 |

SAE Code 61 Flange (FLB)

90° Elbow



4S



6S

| # Part Number | Terminal End | Hose Size | | Flange Head Dia. K Ø | | A | | D | | E Ø | | H | |
|------------------|----------------------|-----------|----------------------|-------------------------|-----------|-----------|-----------|-----------|-----------|-----------|-----------|-----------|-----------|
| | | DN | Dash size | mm | in | mm | in | mm | in | mm | in | mm | in |
| 4S12FLB12 | -12 | 19 | -12 | 38,1 | 1.50 | 108,5 | 4.27 | 72,3 | 2.85 | 14,2 | 0.56 | 59,0 | 2.32 |
| 4S16FLB12 | -16 | 19 | -12 | 44,4 | 1.75 | 122,8 | 4.84 | 86,6 | 3.41 | 14,2 | 0.56 | 71,0 | 2.80 |
| 4S20FLB12 | -20 | 19 | -12 | 50,8 | 2.00 | 108,5 | 4.72 | 72,3 | 2.85 | 14,2 | 0.56 | 65,0 | 2.56 |
| 4S16FLB16 | -16 | 25 | -16 | 44,4 | 1.75 | 126,0 | 4.96 | 86,2 | 3.39 | 19,2 | 0.76 | 71,0 | 2.80 |
| 4S16FLB16.116 | -16 | 25 | -16 | 44,4 | 1.75 | 126,0 | 4.96 | 86,2 | 3.39 | 19,2 | 0.76 | 116,0 | 4.57 |
| 4S20FLB16 | -20 | 25 | -16 | 50,8 | 2.00 | 145,2 | 5.72 | 105,4 | 4.15 | 19,2 | 0.76 | 89,0 | 3.50 |
| 4S24FLB16 | -24 | 25 | -16 | 60,4 | 2.38 | 136,5 | 5.37 | 96,8 | 3.81 | 19,2 | 0.76 | 81,9 | 3.22 |
| 4S16FLB20 | -16 | 31 | -20 | 44,4 | 1.75 | 147,1 | 5.79 | 91,9 | 3.62 | 25,2 | 0.99 | 71,0 | 2.80 |
| 4S20FLB20 | -20 | 31 | -20 | 50,8 | 2.00 | 161,8 | 6.37 | 106,5 | 4.19 | 25,2 | 0.99 | 89,0 | 3.50 |
| 4S24FLB20 | -24 | 31 | -20 | 60,4 | 2.38 | 152,9 | 6.02 | 97,9 | 3.85 | 25,2 | 0.99 | 81,9 | 3.22 |
| 4S24FLB24 | -24 | 38 | -24 | 60,3 | 2.37 | 208,9 | 8.22 | 130,9 | 5.15 | 31,1 | 1.22 | 104,0 | 4.09 |
| 4S32FLB24 | -32 | 38 | -24 | 71,4 | 2.81 | 247,4 | 9.74 | 169,4 | 6.67 | 31,1 | 1.22 | 138,0 | 5.43 |
| 4S32FLB32 | -32 | 51 | -32 | 71,4 | 2.81 | 250,3 | 9.85 | 172,2 | 6.78 | 42,1 | 1.66 | 138,0 | 5.43 |
| 6S | Dash size | DN | Dash size | mm | in | mm | in | mm | in | mm | in | mm | in |
| 6S16FLB16 | -16 | 25 | -16 | 44,4 | 1.75 | 126,0 | 4.96 | 86,2 | 3.39 | 19,2 | 0.76 | 71,0 | 2.80 |
| 6S20FLB16 | -20 | 25 | -16 | 50,8 | 2.00 | 145,2 | 5.72 | 105,4 | 4.15 | 19,2 | 0.76 | 89,0 | 3.50 |
| 6S20FLB20 | -20 | 31 | -20 | 50,8 | 2.00 | 162,5 | 6.40 | 106,5 | 4.19 | 25,2 | 0.99 | 89,0 | 3.50 |
| 6S24FLB24 | -24 | 38 | -24 | 60,3 | 2.37 | 208,8 | 8.22 | 130,8 | 5.15 | 31,1 | 1.22 | 104,0 | 4.09 |
| 6S32FLB24 | -32 | 38 | -24 | 71,4 | 2.81 | 247,4 | 9.74 | 169,4 | 6.67 | 31,1 | 1.22 | 138,0 | 5.43 |
| 6S32FLB32 | -32 | 51 | -32 | 71,4 | 2.81 | 250,3 | 9.85 | 172,2 | 6.78 | 42,1 | 1.66 | 138,0 | 5.43 |

4S/6S Fitting series

4S Fittings

For use with hoses:

EC525-12,-16,-20,-24,-32; GH493-12,-16,-20,-24,-32;
 FC636-12,-16,-20,-24,-32;
 FC736-12,-16,-20,-24,-32; FC500-12,-16,-20,-24;
 FC273B-12,-16;
 GH506-12,-16,-20,-24,-32; FC254-12,-16,-20,-24,-32;
 EC810-12,-16;

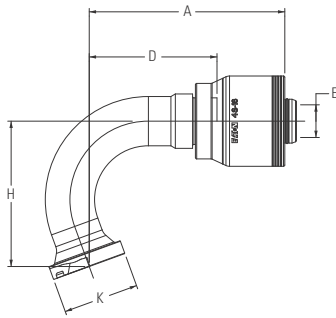
6S Fittings

For use with hoses:

FC500-32;
 FC273B-20,-24,-32;
 FC606-16,-20,-24;
 EC810-20,-24,-32;
 GH466-20,-24

SAE Code 61 Flange (FLH)

110° Elbow

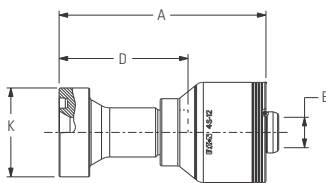


4S

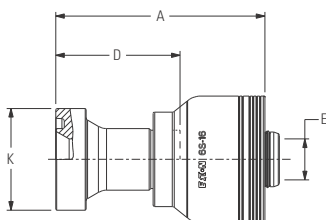
| # Part Number | Terminal End | Hose Size | | Flange Head Dia. K Ø | | A | | D | | E Ø | | H | |
|------------------|--------------|-----------|-----------|----------------------|------|-------|------|------|------|------|------|------|------|
| | | DN | Dash size | mm | in | mm | in | mm | in | mm | in | mm | in |
| 4S16FLH16 | -16 | 25 | -16 | 44,4 | 1.75 | 114,6 | 4.51 | 74,9 | 2.95 | 19,2 | 0.76 | 85,2 | 3.35 |

SAE Code 62 Flange (FH)

Straight



4S

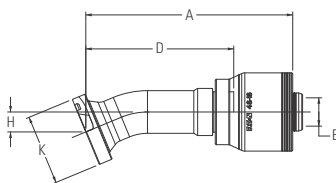


6S

| # Part Number | Terminal End | Hose Size | | Flange Head Dia. K Ø | | A | | D | | E Ø | |
|------------------|--------------|-----------|-----------|----------------------|------|-------|------|-------|------|------|------|
| | | DN | Dash size | mm | in | mm | in | mm | in | mm | in |
| 4S12FH12 | -12 | 19 | -12 | 41,3 | 1.63 | 90,7 | 3.57 | 54,5 | 2.15 | 14,2 | 0.56 |
| 4S16FH12 | -16 | 19 | -12 | 47,7 | 1.88 | 90,2 | 3.55 | 54,0 | 2.13 | 14,2 | 0.56 |
| 4S12FH16 | -12 | 25 | -16 | 41,3 | 1.63 | 96,3 | 3.79 | 56,7 | 2.23 | 14,2 | 0.56 |
| 4S16FH16 | -16 | 25 | -16 | 47,7 | 1.88 | 98,9 | 3.89 | 59,1 | 2.33 | 19,2 | 0.76 |
| 4S20FH16 | -20 | 25 | -16 | 54,0 | 2.13 | 100,8 | 3.97 | 61,0 | 2.40 | 19,2 | 0.76 |
| 4S16FH20 | -16 | 31 | -20 | 47,7 | 1.88 | 123,8 | 4.87 | 68,6 | 2.70 | 25,2 | 0.99 |
| 4S20FH20 | -20 | 31 | -20 | 54,0 | 2.13 | 123,3 | 4.85 | 68,1 | 2.68 | 25,2 | 0.99 |
| 4S24FH20 | -24 | 31 | -20 | 63,5 | 2.50 | 129,0 | 5.08 | 73,9 | 2.91 | 25,2 | 0.99 |
| 4S24FH24 | -24 | 38 | -24 | 63,5 | 2.50 | 189,6 | 7.46 | 111,6 | 4.39 | 31,1 | 1.22 |
| 4S32FH24 | -32 | 38 | -24 | 79,4 | 3.13 | 204,4 | 8.05 | 126,4 | 4.89 | 31,1 | 1.22 |
| 4S32FH32 | -32 | 51 | -32 | 79,4 | 3.13 | 202,7 | 7.98 | 124,7 | 4.91 | 42,1 | 1.66 |
| 6S | Dash size | DN | Dash size | mm | in | mm | in | mm | in | mm | in |
| 6S16FH16 | -16 | 25 | -16 | 47,7 | 1.88 | 98,8 | 3.89 | 59,2 | 2.33 | 19,2 | 0.76 |
| 6S20FH16 | -20 | 25 | -16 | 54,0 | 2.13 | 100,8 | 3.97 | 61,0 | 2.40 | 19,2 | 0.76 |
| 6S20FH20 | -20 | 31 | -20 | 54,0 | 2.13 | 124,0 | 4.88 | 68,1 | 2.68 | 25,2 | 0.99 |
| 6S24FH20 | -24 | 31 | -20 | 63,5 | 2.50 | 129,8 | 5.11 | 73,9 | 2.91 | 25,2 | 0.99 |
| 6S24FH24 | -24 | 38 | -24 | 63,5 | 2.50 | 189,6 | 7.46 | 111,6 | 4.39 | 31,1 | 1.22 |
| 6S32FH24 | -32 | 38 | -24 | 79,4 | 3.13 | 204,4 | 8.05 | 126,4 | 4.98 | 31,1 | 1.22 |
| 6S32FH32 | -32 | 51 | -32 | 79,4 | 3.13 | 202,7 | 7.98 | 124,7 | 4.91 | 42,1 | 1.66 |

SAE Code 62 Flange (FHD)

22.5° Elbow



4S

| # Part Number | Terminal End | Hose Size | | Flange Head Dia. K Ø | | A | | D | | E Ø | | H | |
|------------------|--------------|-----------|-----------|----------------------|------|-------|-------|-------|------|------|------|------|------|
| | | DN | Dash size | mm | in | mm | in | mm | in | mm | in | mm | in |
| 4S16FHD16 | -16 | 25 | -16 | 47,7 | 1.88 | 140,0 | 5.51 | 100,1 | 3.94 | 19,2 | 0.76 | 13,5 | 0.53 |
| 4S20FHD16 | -20 | 25 | -16 | 54,0 | 2.13 | 160,9 | 6.33 | 121,2 | 4.77 | 19,2 | 0.76 | 16,3 | 0.64 |
| 4S32FHD32 | -32 | 51 | -32 | 79,4 | 3.13 | 269,6 | 10.61 | 191,5 | 7.54 | 42,1 | 1.66 | 23,5 | 0.93 |

4S/6S Fitting series

4S Fittings

For use with hoses:

EC525-12,-16,-20,-24,-32; GH493-12,-16,-20,-24,-32;
 FC636-12,-16,-20,-24,-32;
 FC736-12,-16,-20,-24,-32; FC500-12,-16,-20,-24;
 FC273B-12,-16;
 GH506-12,-16,-20,-24,-32; FC254-12,-16,-20,-24,-32;
 EC810-12,-16;

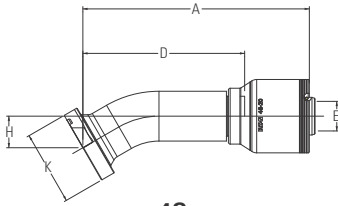
6S Fittings

For use with hoses:

FC500-32;
 FC273B-20,-24,-32;
 FC606-16,-20,-24;
 EC810-20,-24,-32;
 GH466-20,-24

SAE Code 62 Flange (FHF)

30° Elbow

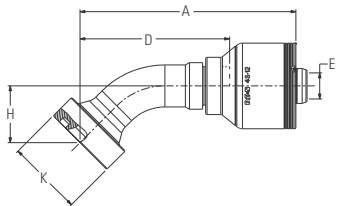


4S

| # Part Number | Terminal End Dash size | Hose Size | | Flange Head Dia. K Ø | | A | | D | | E Ø | | H | |
|------------------|---------------------------|-----------|-----------|----------------------|------|-------|-------|-------|------|------|------|------|------|
| | | DN | Dash size | mm | in | mm | in | mm | in | mm | in | mm | in |
| 4S24FHF20 | -20 | 31 | -20 | 63,5 | 2.50 | 192,6 | 7.58 | 137,6 | 5.42 | 25,2 | 0.99 | 26,8 | 1.06 |
| 4S32FHF32 | -32 | 51 | -32 | 79,4 | 3.13 | 265,8 | 10.47 | 187,8 | 7.39 | 42,1 | 1.66 | 33,9 | 1.34 |

SAE Code 62 Flange (FHA)

45° Elbow

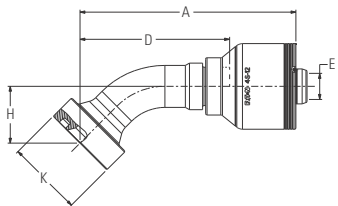


4S

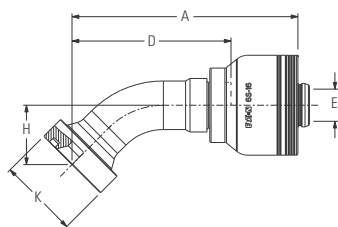
| # Part Number | Terminal End Dash size | Hose Size | | Flange Head Dia. K Ø | | A | | D | | E Ø | | H | |
|------------------|---------------------------|-----------|-----------|----------------------|------|-------|-------|-------|------|------|------|------|------|
| | | DN | Dash size | mm | in | mm | in | mm | in | mm | in | mm | in |
| 4S12FHA12 | -12 | 19 | -12 | 41,3 | 1.63 | 113,8 | 4.48 | 77,6 | 3.06 | 14,2 | 0.56 | 27,0 | 1.06 |
| 4S16FHA12 | -16 | 19 | -12 | 47,7 | 1.88 | 128,0 | 5.04 | 91,7 | 3.61 | 14,2 | 0.56 | 32,0 | 1.26 |
| 4S12FHA16 | -12 | 25 | -16 | 41,3 | 1.63 | 116,9 | 4.60 | 77,2 | 3.04 | 15,1 | 0.59 | 27,0 | 1.06 |
| 4S16FHA16 | -16 | 25 | -16 | 47,7 | 1.88 | 130,9 | 5.15 | 91,2 | 3.59 | 19,2 | 0.76 | 32,0 | 1.26 |
| 4S20FHA16 | -20 | 25 | -16 | 54,0 | 2.13 | 150,2 | 5.91 | 110,5 | 4.35 | 19,2 | 0.76 | 39,0 | 1.54 |
| 4S20FHA20 | -20 | 31 | -20 | 54,0 | 2.13 | 166,6 | 6.56 | 111,6 | 4.39 | 25,2 | 0.99 | 39,0 | 1.54 |
| 4S24FHA20 | -24 | 31 | -20 | 63,5 | 2.50 | 183,2 | 7.21 | 128,2 | 5.05 | 25,2 | 0.99 | 45,0 | 1.77 |
| 4S24FHA24 | -24 | 38 | -24 | 63,5 | 2.50 | 214,1 | 8.43 | 136,1 | 5.36 | 31,1 | 1.22 | 45,0 | 1.77 |
| 4S32FHA24 | -32 | 38 | -24 | 79,4 | 3.13 | 251,0 | 9.88 | 173,0 | 6.81 | 31,1 | 1.22 | 57,5 | 2.26 |
| 4S32FHA32 | -32 | 51 | -32 | 79,4 | 3.13 | 253,9 | 10.00 | 175,9 | 6.93 | 42,1 | 1.66 | 57,5 | 2.26 |
| 6S | Dash size | DN | Dash size | mm | in | mm | in | mm | in | mm | in | mm | in |
| 6S16FHA16 | -16 | 25 | -16 | 47,7 | 1.88 | 130,9 | 5.15 | 91,2 | 3.59 | 19,2 | 0.76 | 32,0 | 1.26 |
| 6S20FHA16 | -20 | 25 | -16 | 54,0 | 2.13 | 150,2 | 5.91 | 110,0 | 4.35 | 19,0 | 0.75 | 39,0 | 1.54 |
| 6S20FHA20 | -20 | 31 | -20 | 54,0 | 2.13 | 167,6 | 6.60 | 111,6 | 4.39 | 25,2 | 0.99 | 39,0 | 1.54 |
| 6S24FHA20 | -24 | 31 | -20 | 63,5 | 2.50 | 184,2 | 7.25 | 128,2 | 5.05 | 25,2 | 0.99 | 45,0 | 1.77 |
| 6S24FHA24 | -24 | 38 | -24 | 63,5 | 2.50 | 214,1 | 8.43 | 136,1 | 5.36 | 31,1 | 1.22 | 45,0 | 1.77 |
| 6S32FHA24 | -32 | 38 | -24 | 79,4 | 3.13 | 251,0 | 9.88 | 173,0 | 6.81 | 31,1 | 1.22 | 57,5 | 2.26 |
| 6S32FHA32 | -32 | 51 | -32 | 79,4 | 3.13 | 253,9 | 10.00 | 175,9 | 6.93 | 42,1 | 1.66 | 57,5 | 2.26 |

SAE Code 62 Flange (FHG)

60° Elbow



4S



6S

| # Part Number | Terminal End Dash size | Hose Size | | Flange Head Dia. K Ø | | A | | D | | E Ø | | H | |
|------------------|---------------------------|-----------|-----------|----------------------|------|-------|-------|-------|------|------|------|------|------|
| | | DN | Dash size | mm | in | mm | in | mm | in | mm | in | mm | in |
| 4S12FHG12 | -12 | 19 | -12 | 41,3 | 1.63 | 133,9 | 5.27 | 97,7 | 3.85 | 14,2 | 0.56 | 37,6 | 1.48 |
| 4S16FHG16 | -16 | 25 | -16 | 47,7 | 1.88 | 156,4 | 6.16 | 116,6 | 4.59 | 19,2 | 0.76 | 44,6 | 1.76 |
| 4S32FHG32 | -32 | 51 | -32 | 79,4 | 3.13 | 309,1 | 12.17 | 231,1 | 9.10 | 42,1 | 1.66 | 85,8 | 3.38 |
| 6S | Dash size | DN | Dash size | mm | in | mm | in | mm | in | mm | in | mm | in |
| 6S16FHG16 | -16 | 25 | -16 | 47,7 | 1.88 | 156,4 | 6.16 | 116,6 | 4.59 | 19,2 | 0.76 | 44,7 | 1.76 |
| 6S20FHG16 | -20 | 25 | -16 | 54,0 | 2.13 | 183,3 | 7.22 | 143,5 | 5.65 | 19,2 | 0.76 | 55,8 | 2.20 |
| 6S20FHG20 | -20 | 31 | -20 | 54,0 | 2.13 | 200,6 | 7.90 | 144,6 | 5.69 | 25,2 | 0.99 | 55,8 | 2.20 |

4S/6S Fitting series

4S Fittings

For use with hoses:

EC525-12,-16,-20,-24,-32; GH493-12,-16,-20,-24,-32;
 FC636-12,-16,-20,-24,-32;
 FC736-12,-16,-20,-24,-32; FC500-12,-16,-20,-24;
 FC273B-12,-16;
 GH506-12,-16,-20,-24,-32; FC254-12,-16,-20,-24,-32;
 EC810-12,-16;

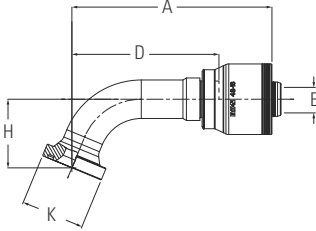
6S Fittings

For use with hoses:

FC500-32;
 FC273B-20,-24,-32;
 FC606-16,-20,-24;
 EC810-20,-24,-32;
 GH466-20,-24

SAE Code 62 Flange (FHE)

67.5° Elbow

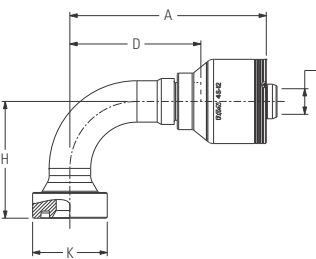


4S

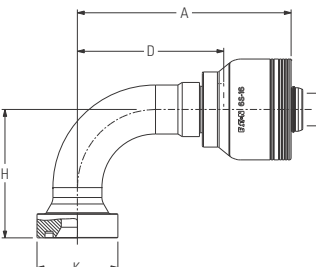
| # Part Number | Terminal End Dash size | Hose Size | | Flange Head Dia. K Ø | | A | | D | | E Ø | | H | |
|------------------|---------------------------|-----------|-----------|----------------------|------|-------|-------|-------|------|------|------|------|------|
| | | DN | Dash size | mm | in | mm | in | mm | in | mm | in | mm | in |
| 4S32FHE32 | -32 | 51 | -32 | 79,4 | 3.13 | 297,0 | 11.69 | 219,0 | 8.62 | 42,1 | 1.66 | 99,3 | 3.91 |

SAE Code 62 Flange (FHB)

90° Elbow



4S



6S

| # Part Number | Terminal End Dash size | Hose Size | | Flange Head Dia. K Ø | | A | | D | | E Ø | | H | |
|------------------|---------------------------|-----------|-----------|----------------------|------|-------|------|-------|------|------|------|-------|------|
| | | DN | Dash size | mm | in | mm | in | mm | in | mm | in | mm | in |
| 4S12FHB12 | -12 | 19 | -12 | 41,3 | 1.63 | 108,5 | 4.27 | 72,3 | 2.85 | 14,2 | 0.56 | 59,0 | 2.32 |
| 4S16FHB12 | -16 | 19 | -12 | 47,7 | 1.88 | 122,9 | 4.84 | 86,6 | 3.41 | 14,2 | 0.56 | 71,0 | 2.80 |
| 4S16FHB16 | -16 | 25 | -16 | 47,7 | 1.88 | 125,5 | 4.94 | 86,1 | 3.39 | 19,2 | 0.76 | 71,0 | 2.80 |
| 4S16FHB16.120 | -16 | 25 | -16 | 47,7 | 1.88 | 126,0 | 4.96 | 86,2 | 3.39 | 19,2 | 0.76 | 120,0 | 4.72 |
| 4S20FHB16 | -20 | 25 | -16 | 54,0 | 2.13 | 145,3 | 5.72 | 105,4 | 4.15 | 19,2 | 0.76 | 89,0 | 3.50 |
| 4S16FHB20 | -16 | 31 | -20 | 47,7 | 1.88 | 147,1 | 5.79 | 91,9 | 3.62 | 25,2 | 0.99 | 71,0 | 2.80 |
| 4S20FHB20 | -20 | 31 | -20 | 54,0 | 2.13 | 161,5 | 6.36 | 106,5 | 4.19 | 25,2 | 0.99 | 89,0 | 3.50 |
| 4S20FHB20.120 | -20 | 31 | -20 | 54,0 | 2.13 | 161,5 | 6.36 | 106,5 | 4.19 | 25,2 | 0.99 | 120,0 | 4.72 |
| 4S24FHB20 | -24 | 31 | -20 | 63,5 | 2.50 | 178,0 | 7.01 | 123,0 | 4.84 | 25,2 | 0.99 | 104,0 | 4.09 |
| 4S24FHB24 | -24 | 38 | -24 | 63,5 | 2.50 | 208,9 | 8.22 | 130,8 | 5.15 | 31,1 | 1.22 | 104,0 | 4.09 |
| 4S32FHB24 | -32 | 38 | -24 | 79,4 | 3.13 | 247,4 | 9.74 | 169,4 | 6.67 | 31,1 | 1.22 | 138,0 | 5.43 |
| 4S32FHB32 | -32 | 51 | -32 | 79,4 | 3.13 | 250,3 | 9.85 | 172,2 | 6.78 | 42,1 | 1.66 | 138,0 | 5.43 |
| 6S | Dash size | DN | Dash size | mm | in | mm | in | mm | in | mm | in | mm | in |
| 6S16FHB16 | -16 | 25 | -16 | 47,7 | 1.88 | 125,5 | 4.94 | 86,1 | 3.39 | 19,2 | 0.76 | 71,0 | 2.80 |
| 6S20FHB16 | -20 | 25 | -16 | 54,0 | 2.13 | 145,3 | 5.72 | 105,4 | 4.15 | 19,2 | 0.76 | 89,0 | 3.50 |
| 6S16FHB20 | -16 | 31 | -20 | 47,7 | 1.88 | 147,9 | 5.82 | 91,9 | 3.62 | 25,2 | 0.99 | 71,0 | 2.80 |
| 6S20FHB20 | -20 | 31 | -20 | 54,0 | 2.13 | 162,5 | 6.40 | 106,5 | 4.19 | 25,2 | 0.99 | 89,0 | 3.50 |
| 6S24FHB20 | -24 | 31 | -20 | 63,5 | 2.50 | 179,0 | 7.05 | 123,0 | 4.84 | 25,2 | 0.99 | 104,0 | 4.09 |
| 6S24FHB24 | -24 | 38 | -24 | 63,5 | 2.50 | 208,9 | 8.22 | 130,8 | 5.15 | 31,1 | 1.22 | 104,0 | 4.09 |
| 6S32FHB24 | -32 | 38 | -24 | 79,4 | 3.13 | 247,4 | 9.74 | 169,4 | 6.67 | 31,1 | 1.22 | 138,0 | 5.43 |
| 6S32FHB32 | -32 | 51 | -32 | 79,4 | 3.13 | 250,3 | 9.85 | 172,2 | 6.78 | 42,1 | 1.66 | 138,0 | 5.43 |

4S/6S Fitting series

4S Fittings

For use with hoses:

EC525-12,-16,-20,-24,-32; GH493-12,-16,-20,-24,-32;
 FC636-12,-16,-20,-24,-32;
 FC736-12,-16,-20,-24,-32; FC500-12,-16,-20,-24;
 FC273B-12,-16;
 GH506-12,-16,-20,-24,-32; FC254-12,-16,-20,-24,-32;
 EC810-12,-16;

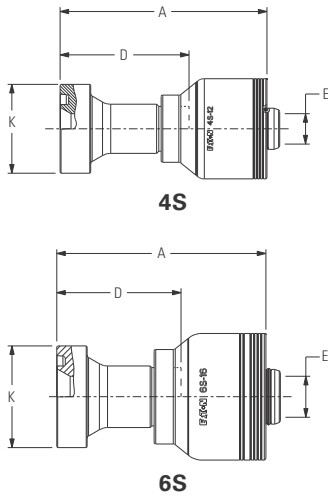
6S Fittings

For use with hoses:

FC500-32;
 FC273B-20,-24,-32;
 FC606-16,-20,-24;
 EC810-20,-24,-32;
 GH466-20,-24

CAT® Flange (CT)

Straight

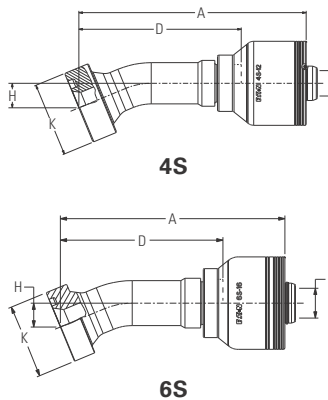


| # Part Number | Terminal End Dash size | Hose Size | | Flange Head Dia. K Ø | | A | | D | | E Ø | |
|------------------|---------------------------|-----------|-----------|-------------------------|------|-------|------|-------|------|------|------|
| | | DN | Dash size | mm | in | mm | in | mm | in | mm | in |
| 4S | | | | | | | | | | | |
| 4S12CT12 | -12 | 19 | -12 | 41,3 | 1.63 | 96,2 | 3.79 | 60,0 | 2.36 | 14,2 | 0.56 |
| 4S16CT12 | -16 | 19 | -12 | 47,6 | 1.87 | 94,9 | 3.74 | 58,7 | 2.31 | 14,2 | 0.56 |
| 4S16CT16 | -16 | 25 | -16 | 47,6 | 1.87 | 102,1 | 4.02 | 62,3 | 2.45 | 19,2 | 0.76 |
| 4S20CT16 | -20 | 25 | -16 | 54,0 | 2.13 | 104,8 | 4.13 | 65,0 | 2.56 | 19,2 | 0.76 |
| 4S20CT20 | -20 | 31 | -20 | 54,0 | 2.13 | 124,5 | 4.90 | 69,1 | 2.72 | 25,2 | 0.99 |
| 4S24CT20** | -24 | 31 | -20 | 63,5 | 2.50 | 130,9 | 5.15 | 75,9 | 2.99 | 25,2 | 0.99 |
| 4S24CT24 | -24 | 38 | -24 | 63,5 | 2.50 | 195,0 | 7.68 | 117,0 | 4.61 | 31,1 | 1.22 |
| 4S32CT24 | -32 | 38 | -24 | 79,4 | 3.13 | 206,0 | 8.11 | 128,0 | 5.04 | 31,1 | 1.22 |
| 4S32CT32 | -32 | 51 | -32 | 79,4 | 3.13 | 208,9 | 8.22 | 130,9 | 5.15 | 42,1 | 1.66 |
| 6S | | | | | | | | | | | |
| 6S16CT16 | -16 | 25 | -16 | 47,6 | 1.87 | 102,1 | 4.02 | 62,3 | 2.45 | 19,2 | 0.76 |
| 6S20CT16 | -20 | 25 | -16 | 54,0 | 2.13 | 104,8 | 4.13 | 65,0 | 2.56 | 19,2 | 0.76 |
| 6S20CT20 | -20 | 31 | -20 | 54,0 | 2.13 | 125,2 | 4.93 | 69,1 | 2.72 | 25,2 | 0.99 |
| 6S24CT20 | -24 | 31 | -20 | 63,5 | 2.50 | 131,8 | 5.19 | 75,9 | 2.99 | 25,2 | 0.99 |
| 6S24CT24 | -24 | 38 | -24 | 63,5 | 2.50 | 195,0 | 7.68 | 117,0 | 4.61 | 31,1 | 1.22 |
| 6S32CT24 | -32 | 38 | -24 | 79,4 | 3.13 | 206,0 | 8.11 | 128,1 | 5.04 | 31,1 | 1.22 |
| 6S32CT32 | -32 | 51 | -32 | 79,4 | 3.13 | 208,9 | 8.22 | 130,9 | 5.15 | 42,1 | 1.66 |

** Note: Items will be available in the near future. Communication will be sent when available.

CAT® Flange (CTD)

22.5° Elbow



| # Part Number | Terminal End Dash size | Hose Size | | Flange Head Dia. K Ø | | A | | D | | E Ø | | H | |
|------------------|---------------------------|-----------|-----------|-------------------------|------|-------|-------|-------|------|------|------|------|------|
| | | DN | Dash size | mm | in | mm | in | mm | in | mm | in | mm | in |
| 4S | | | | | | | | | | | | | |
| 4S12CTD12 | -12 | 19 | -12 | 41,3 | 1.63 | 126,2 | 4.97 | 90,2 | 3.55 | 14,2 | 0.56 | 13,6 | 0.54 |
| 4S16CTD16 | -16 | 25 | -16 | 47,6 | 1.87 | 144,2 | 5.68 | 104,4 | 4.11 | 19,2 | 0.76 | 15,3 | 0.60 |
| 4S20CTD16 | -20 | 25 | -16 | 54,0 | 2.13 | 164,5 | 6.48 | 124,8 | 4.91 | 19,2 | 0.76 | 17,8 | 0.70 |
| 4S20CTD20** | -20 | 31 | -20 | 54,0 | 2.13 | 181,9 | 7.16 | 125,9 | 4.96 | 25,2 | 0.99 | 17,8 | 0.70 |
| 4S24CTD20** | -24 | 31 | -20 | 63,5 | 2.50 | 198,0 | 7.80 | 142,0 | 5.59 | 25,2 | 0.99 | 19,4 | 0.76 |
| 4S24CTD24 | -24 | 38 | -24 | 63,5 | 2.50 | 227,9 | 8.97 | 149,9 | 5.90 | 31,1 | 1.22 | 19,4 | 0.76 |
| 4S32CTD32 | -32 | 51 | -32 | 79,4 | 3.13 | 271,1 | 10.67 | 193,0 | 7.60 | 42,1 | 1.66 | 24,2 | 0.95 |
| 6S | | | | | | | | | | | | | |
| 6S16CTD16 | -16 | 25 | -16 | 47,6 | 1.87 | 144,2 | 5.68 | 104,4 | 4.11 | 19,2 | 0.76 | 15,3 | 0.60 |
| 6S20CTD16 | -20 | 25 | -16 | 54,0 | 2.13 | 164,5 | 6.48 | 124,8 | 4.91 | 19,2 | 0.76 | 17,8 | 0.70 |
| 6S20CTD20 | -20 | 31 | -20 | 54,0 | 2.13 | 181,9 | 7.16 | 125,9 | 4.96 | 25,2 | 0.99 | 17,8 | 0.70 |
| 6S24CTD20 | -24 | 31 | -20 | 63,5 | 2.50 | 198,0 | 7.80 | 142,0 | 5.59 | 25,2 | 0.99 | 19,4 | 0.76 |
| 6S24CTD24 | -24 | 38 | -24 | 63,5 | 2.50 | 227,9 | 8.97 | 149,9 | 5.90 | 31,1 | 1.22 | 19,4 | 0.76 |
| 6S32CTD32 | -32 | 51 | -32 | 79,4 | 3.13 | 271,1 | 10.67 | 193,0 | 7.60 | 42,1 | 1.66 | 24,2 | 0.95 |

** Note: Items will be available in the near future. Communication will be sent when available.

4S/6S Fitting series

4S Fittings

For use with hoses:

EC525-12,-16,-20,-24,-32; GH493-12,-16,-20,-24,-32;
 FC636-12,-16,-20,-24,-32;
 FC736-12,-16,-20,-24,-32; FC500-12,-16,-20,-24;
 FC273B-12,-16;
 GH506-12,-16,-20,-24,-32; FC254-12,-16,-20,-24,-32;
 EC810-12,-16;

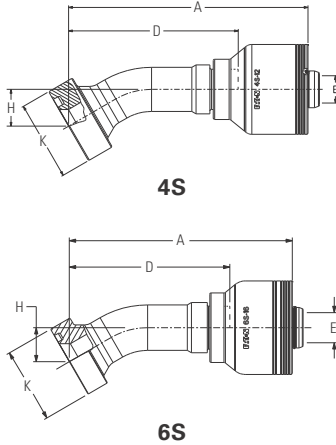
6S Fittings

For use with hoses:

FC500-32;
 FC273B-20,-24,-32;
 FC606-16,-20,-24;
 EC810-20,-24,-32;
 GH466-20,-24

CAT® Flange (CTF)

30° Elbow

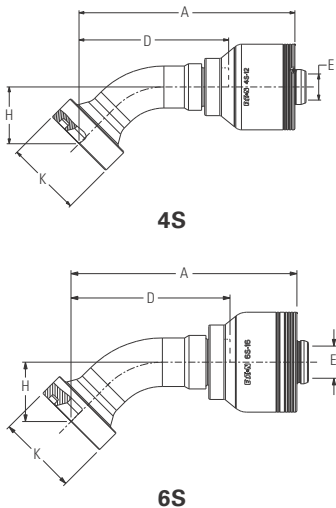


| # Part Number | Terminal End | Hose Size | | Flange Head Dia. K Ø | | A | | D | | E Ø | | H | |
|------------------|------------------|-----------|------------------|-------------------------|-----------|-----------|-----------|-----------|-----------|-----------|-----------|-----------|-----------|
| | | DN | Dash size | mm | in | mm | in | mm | in | mm | in | mm | in |
| 4S | Dash size | DN | Dash size | mm | in | mm | in | mm | in | mm | in | mm | in |
| 4S12CTF12 | -12 | 19 | -12 | 41,3 | 1.63 | 124,2 | 4.89 | 88,0 | 3.46 | 14,2 | 0.56 | 19,1 | 0.75 |
| 4S16CTF16 | -16 | 25 | -16 | 47,6 | 1.87 | 141,7 | 5.58 | 102,0 | 4.02 | 19,2 | 0.76 | 21,6 | 0.85 |
| 4S20CTF16 | -20 | 25 | -16 | 54,0 | 2.13 | 161,7 | 6.37 | 122,0 | 4.80 | 19,2 | 0.76 | 25,3 | 1.00 |
| 4S20CTF20** | -20 | 31 | -20 | 54,0 | 2.13 | 179,1 | 7.05 | 123,1 | 4.85 | 25,2 | 0.99 | 25,3 | 1.00 |
| 4S24CTF20** | -24 | 31 | -20 | 63,5 | 2.50 | 194,9 | 7.67 | 138,9 | 5.47 | 25,2 | 0.99 | 27,7 | 1.09 |
| 4S24CTF24 | -24 | 38 | -24 | 63,5 | 2.50 | 224,8 | 8.85 | 146,8 | 5.78 | 31,1 | 1.22 | 27,7 | 1.09 |
| 4S32CTF32 | -32 | 51 | -32 | 79,4 | 3.13 | 267,3 | 10.52 | 189,2 | 7.45 | 42,1 | 1.66 | 34,8 | 1.37 |
| 6S | Dash size | DN | Dash size | mm | in | mm | in | mm | in | mm | in | mm | in |
| 6S16CTF16 | -16 | 25 | -16 | 47,6 | 1.87 | 141,7 | 5.58 | 102,0 | 4.02 | 19,2 | 0.76 | 21,6 | 0.85 |
| 6S20CTF16 | -20 | 25 | -16 | 54,0 | 2.13 | 161,7 | 6.37 | 122,0 | 4.80 | 19,2 | 0.76 | 25,3 | 1.00 |
| 6S20CTF20 | -20 | 31 | -20 | 54,0 | 2.13 | 179,1 | 7.05 | 123,1 | 4.85 | 25,2 | 0.99 | 25,3 | 1.00 |
| 6S24CTF20 | -24 | 31 | -20 | 63,5 | 2.50 | 194,9 | 7.67 | 138,9 | 5.47 | 25,2 | 0.99 | 27,7 | 1.09 |
| 6S24CTF24 | -24 | 38 | -24 | 63,5 | 2.50 | 224,8 | 8.85 | 146,8 | 5.78 | 31,1 | 1.22 | 27,7 | 1.09 |
| 6S32CTF24 | -32 | 38 | -24 | 79,4 | 3.13 | 264,3 | 10.41 | 186,3 | 7.34 | 31,1 | 1.22 | 34,8 | 1.37 |
| 6S32CTF32 | -32 | 51 | -32 | 79,4 | 3.13 | 267,3 | 10.52 | 189,2 | 7.45 | 42,1 | 1.66 | 34,8 | 1.37 |

** Note: Items will be available in the near future. Communication will be sent when available.

CAT® Flange (CTA)

45° Elbow



| # Part Number | Terminal End | Hose Size | | Flange Head Dia. K Ø | | A | | D | | E Ø | | H | |
|------------------|------------------|-----------|------------------|-------------------------|-----------|-----------|-----------|-----------|-----------|-----------|-----------|-----------|-----------|
| | | DN | Dash size | mm | in | mm | in | mm | in | mm | in | mm | in |
| 4S | Dash size | DN | Dash size | mm | in | mm | in | mm | in | mm | in | mm | in |
| 4S12CTA12 | -12 | 19 | -12 | 41,3 | 1.63 | 117,7 | 4.63 | 81,5 | 3.21 | 14,2 | 0.56 | 30,9 | 1.22 |
| 4S16CTA12 | -16 | 19 | -12 | 47,6 | 1.87 | 131,2 | 5.17 | 95,0 | 3.74 | 14,2 | 0.56 | 35,3 | 1.39 |
| 4S16CTA16 | -16 | 25 | -16 | 47,6 | 1.87 | 134,3 | 5.29 | 94,6 | 3.72 | 19,2 | 0.76 | 35,3 | 1.39 |
| 4S20CTA16 | -20 | 25 | -16 | 54,0 | 2.13 | 153,0 | 6.02 | 113,2 | 4.46 | 19,2 | 0.76 | 41,8 | 1.65 |
| 4S20CTA20 | -20 | 31 | -20 | 54,0 | 2.13 | 169,4 | 6.67 | 114,3 | 4.50 | 25,2 | 0.99 | 41,8 | 1.65 |
| 4S24CTA20** | -24 | 31 | -20 | 63,5 | 2.50 | 185,3 | 7.30 | 129,1 | 5.08 | 25,2 | 0.99 | 46,2 | 1.82 |
| 4S24CTA24 | -24 | 38 | -24 | 63,5 | 2.50 | 215,2 | 8.47 | 137,2 | 5.40 | 31,1 | 1.22 | 46,2 | 1.82 |
| 4S32CTA32 | -32 | 51 | -32 | 79,4 | 3.13 | 255,1 | 10.04 | 177,0 | 6.97 | 42,1 | 1.66 | 58,7 | 1.31 |
| 6S | Dash size | DN | Dash size | mm | in | mm | in | mm | in | mm | in | mm | in |
| 6S16CTA16 | -16 | 25 | -16 | 47,6 | 1.87 | 134,3 | 5.29 | 94,6 | 3.72 | 19,2 | 0.76 | 35,3 | 1.39 |
| 6S20CTA16 | -20 | 25 | -16 | 54,0 | 2.13 | 153,0 | 6.02 | 113,2 | 4.46 | 19,2 | 0.76 | 41,8 | 1.65 |
| 6S20CTA20 | -20 | 31 | -20 | 54,0 | 2.13 | 170,3 | 6.70 | 114,3 | 4.50 | 25,2 | 0.99 | 41,8 | 1.65 |
| 6S24CTA20 | -24 | 31 | -20 | 63,5 | 2.50 | 185,3 | 7.30 | 129,1 | 5.08 | 25,2 | 0.99 | 46,2 | 1.82 |
| 6S24CTA24 | -24 | 38 | -24 | 63,5 | 2.50 | 215,2 | 8.47 | 137,2 | 5.40 | 31,1 | 1.22 | 46,2 | 1.82 |
| 6S32CTA24 | -32 | 38 | -24 | 79,4 | 3.13 | 252,2 | 9.93 | 174,2 | 6.86 | 31,1 | 1.22 | 58,7 | 2.31 |
| 6S32CTA32 | -32 | 51 | -32 | 79,4 | 3.13 | 255,1 | 10.04 | 177,0 | 6.97 | 42,1 | 1.66 | 58,7 | 2.31 |

** Note: Items will be available in the near future. Communication will be sent when available.

4S/6S Fitting series

4S Fittings

For use with hoses:

EC525-12,-16,-20,-24,-32; GH493-12,-16,-20,-24,-32;
 FC636-12,-16,-20,-24,-32;
 FC736-12,-16,-20,-24,-32; FC500-12,-16,-20,-24;
 FC273B-12,-16;
 GH506-12,-16,-20,-24,-32; FC254-12,-16,-20,-24,-32;
 EC810-12,-16;

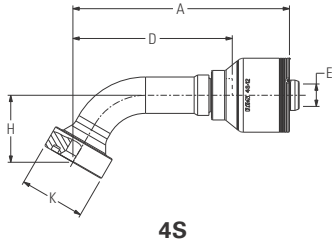
6S Fittings

For use with hoses:

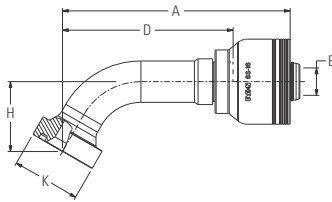
FC500-32;
 FC273B-20,-24,-32;
 FC606-16,-20,-24;
 EC810-20,-24,-32;
 GH466-20,-24

CAT® Flange (CTG)

60° Elbow



4S



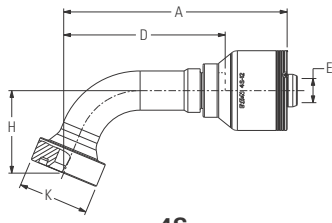
6S

| # Part Number | Terminal End | Hose Size | | Flange Head Dia. K Ø | | A | | D | | E Ø | | H | |
|------------------|------------------|-----------|------------------|-------------------------|-----------|-----------|-----------|-----------|-----------|-----------|-----------|-----------|-----------|
| | | DN | Dash size | mm | in | mm | in | mm | in | mm | in | mm | in |
| 4S | Dash size | DN | Dash size | mm | in | mm | in | mm | in | mm | in | mm | in |
| 4S12CTG12 | -12 | 19 | -12 | 41,3 | 1.63 | 136,6 | 5.38 | 100,5 | 3.96 | 14,2 | 0.56 | 42,3 | 1.67 |
| 4S16CTG16 | -16 | 25 | -16 | 47,6 | 1.87 | 158,8 | 6.25 | 119,0 | 4.69 | 19,2 | 0.76 | 48,7 | 1.92 |
| 4S20CTG16 | -20 | 25 | -16 | 54,0 | 2.13 | 185,2 | 7.29 | 145,5 | 5.73 | 19,2 | 0.76 | 59,2 | 2.33 |
| 4S20CTG20** | -20 | 31 | -20 | 54,0 | 2.13 | 202,6 | 7.98 | 146,6 | 5.77 | 25,2 | 0.99 | 59,2 | 2.33 |
| 4S24CTG20** | -24 | 31 | -20 | 63,5 | 2.50 | 224,3 | 8.83 | 168,3 | 6.63 | 25,2 | 0.99 | 66,6 | 2.62 |
| 4S24CTG24 | -24 | 38 | -24 | 63,5 | 2.50 | 254,2 | 10.01 | 176,2 | 6.94 | 31,1 | 1.22 | 66,6 | 2.62 |
| 4S32CTG32 | -32 | 51 | -32 | 79,4 | 3.13 | 310,0 | 12.20 | 231,9 | 9.13 | 42,1 | 1.66 | 87,3 | 3.44 |
| 6S | Dash size | DN | Dash size | mm | in | mm | in | mm | in | mm | in | mm | in |
| 6S16CTG16 | -16 | 25 | -16 | 47,6 | 1.87 | 158,8 | 6.25 | 119,0 | 4.69 | 19,2 | 0.76 | 48,7 | 1.92 |
| 6S20CTG16 | -20 | 25 | -16 | 54,0 | 2.13 | 185,2 | 7.29 | 145,5 | 5.73 | 19,2 | 0.76 | 59,2 | 2.33 |
| 6S20CTG20 | -20 | 31 | -20 | 54,0 | 2.13 | 202,6 | 7.98 | 146,6 | 5.77 | 25,2 | 0.99 | 59,2 | 2.33 |
| 6S24CTG20 | -24 | 31 | -20 | 63,5 | 2.50 | 224,3 | 8.83 | 168,3 | 6.63 | 25,2 | 0.99 | 66,6 | 2.62 |
| 6S24CTG24 | -24 | 38 | -24 | 63,5 | 2.50 | 254,2 | 10.01 | 176,2 | 6.94 | 31,1 | 1.22 | 66,6 | 2.62 |
| 6S32CTG24 | -32 | 38 | -24 | 79,4 | 3.13 | 307,0 | 12.09 | 229,0 | 9.02 | 31,1 | 1.22 | 87,3 | 3.44 |
| 6S32CTG32 | -32 | 51 | -32 | 79,4 | 3.13 | 310,0 | 12.20 | 231,9 | 9.13 | 42,1 | 1.66 | 87,3 | 3.44 |

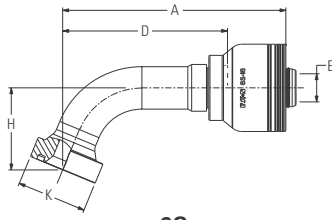
** Note: Items will be available in the near future. Communication will be sent when available.

CAT® Flange (CTE)

67.5° Elbow



4S



6S

| # Part Number | Terminal End | Hose Size | | Flange Head Dia. K Ø | | A | | D | | E Ø | | H | |
|------------------|------------------|-----------|------------------|-------------------------|-----------|-----------|-----------|-----------|-----------|-----------|-----------|-----------|-----------|
| | | DN | Dash size | mm | in | mm | in | mm | in | mm | in | mm | in |
| 4S | Dash size | DN | Dash size | mm | in | mm | in | mm | in | mm | in | mm | in |
| 4S12CTE12 | -12 | 19 | -12 | 41,3 | 1.63 | 130,7 | 5.15 | 94,5 | 3.72 | 14,2 | 0.56 | 48,3 | 1.90 |
| 4S16CTE16 | -16 | 25 | -16 | 47,6 | 1.87 | 151,9 | 5.98 | 112,2 | 4.42 | 19,2 | 0.76 | 55,8 | 2.20 |
| 4S20CTE16 | 20 | 25 | -16 | 54,0 | 2.13 | 176,9 | 6.96 | 137,1 | 5.40 | 19,2 | 0.76 | 68,1 | 2.68 |
| 4S20CTE20** | -20 | 31 | -20 | 54,0 | 2.13 | 194,2 | 7.65 | 138,3 | 5.44 | 25,2 | 0.99 | 68,1 | 2.68 |
| 4S24CTE20** | -24 | 31 | -20 | 63,5 | 2.50 | 214,9 | 8.46 | 159,0 | 6.26 | 25,2 | 0.99 | 76,8 | 3.02 |
| 4S24CTE24 | -24 | 38 | -24 | 63,5 | 2.50 | 244,8 | 9.64 | 166,8 | 6.57 | 31,1 | 1.22 | 76,8 | 3.02 |
| 4S32CTE32 | -32 | 51 | -32 | 79,4 | 3.13 | 297,6 | 11.72 | 219,6 | 8.65 | 42,1 | 1.66 | 100,8 | 3.97 |
| 6S | Dash size | DN | Dash size | mm | in | mm | in | mm | in | mm | in | mm | in |
| 6S16CTE16 | -16 | 25 | -16 | 47,6 | 1.87 | 151,9 | 5.98 | 112,2 | 4.42 | 19,2 | 0.76 | 55,8 | 2.20 |
| 6S20CTE16 | -20 | 25 | -16 | 54,0 | 2.13 | 176,9 | 6.96 | 137,1 | 5.40 | 19,2 | 0.76 | 68,1 | 2.68 |
| 6S20CTE20 | -20 | 31 | -20 | 54,0 | 2.13 | 194,2 | 7.65 | 138,3 | 5.44 | 25,2 | 0.99 | 68,1 | 2.68 |
| 6S24CTE20 | -24 | 31 | -20 | 63,5 | 2.50 | 214,9 | 8.46 | 159,0 | 6.26 | 25,2 | 0.99 | 76,8 | 3.02 |
| 6S24CTE24 | -24 | 38 | -24 | 63,5 | 2.50 | 244,8 | 9.64 | 166,8 | 6.57 | 31,1 | 1.22 | 76,8 | 3.02 |
| 6S32CTE24 | -32 | 38 | -24 | 79,4 | 3.13 | 294,7 | 11.60 | 216,7 | 8.53 | 31,1 | 1.22 | 100,8 | 3.97 |
| 6S32CTE32 | -32 | 51 | -32 | 79,4 | 3.13 | 297,6 | 11.72 | 219,6 | 8.65 | 42,1 | 1.66 | 100,8 | 3.97 |

** Note: Items will be available in the near future. Communication will be sent when available.

4S/6S Fitting series

4S Fittings

For use with hoses:

EC525-12,-16,-20,-24,-32; GH493-12,-16,-20,-24,-32;
 FC636-12,-16,-20,-24,-32;
 FC736-12,-16,-20,-24,-32; FC500-12,-16,-20,-24;
 FC273B-12,-16;
 GH506-12,-16,-20,-24,-32; FC254-12,-16,-20,-24,-32;
 EC810-12,-16;

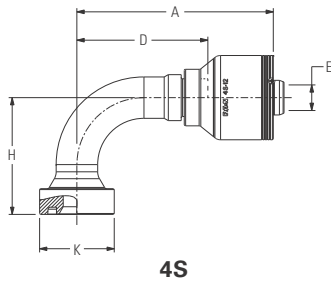
6S Fittings

For use with hoses:

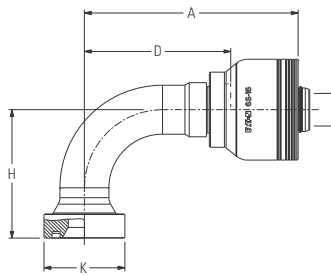
FC500-32;
 FC273B-20,-24,-32;
 FC606-16,-20,-24;
 EC810-20,-24,-32;
 GH466-20,-24

CAT® Flange (CTB)

90° Elbow



4S



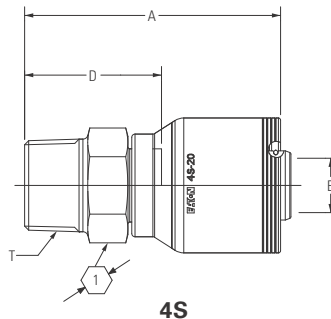
6S

| # Part Number | Terminal End Dash size | Hose Size | | Flange Head Dia. K Ø | | A | | D | | E Ø | | H | |
|------------------|---------------------------|-----------|-----------|----------------------|------|-------|------|-------|------|------|------|-------|------|
| | | DN | Dash size | mm | in | mm | in | mm | in | mm | in | mm | in |
| 4S12CTB12 | -12 | 19 | -12 | 41,3 | 1.63 | 108,5 | 4.27 | 72,3 | 2.85 | 14,2 | 0.56 | 64,5 | 2.54 |
| 4S16CTB12 | -16 | 19 | -12 | 47,6 | 1.87 | 122,8 | 4.83 | 86,6 | 3.41 | 14,2 | 0.56 | 75,7 | 2.98 |
| 4S16CTB16 | -16 | 25 | -16 | 47,6 | 1.87 | 126,0 | 4.96 | 86,2 | 3.39 | 19,2 | 0.76 | 75,7 | 2.98 |
| 4S20CTB16 | -20 | 25 | -16 | 54,0 | 2.13 | 145,2 | 5.72 | 105,4 | 4.15 | 19,2 | 0.76 | 92,9 | 3.66 |
| 4S20CTB20 | -20 | 31 | -20 | 54,0 | 2.13 | 161,5 | 6.36 | 106,5 | 4.19 | 25,2 | 0.99 | 92,9 | 3.66 |
| 4S24CTB20** | -24 | 31 | -20 | 63,5 | 2.50 | 179,0 | 7.05 | 123,0 | 4.84 | 25,2 | 0.99 | 105,6 | 4.16 |
| 4S24CTB24 | -24 | 38 | -24 | 63,5 | 2.50 | 208,9 | 8.22 | 130,9 | 5.15 | 31,1 | 1.22 | 105,7 | 4.16 |
| 4S32CTB32 | -32 | 51 | -32 | 79,4 | 3.13 | 250,3 | 9.85 | 172,2 | 6.78 | 42,1 | 1.66 | 139,7 | 5.50 |
| 6S16CTB16 | -16 | 25 | -16 | 47,6 | 1.87 | 126,0 | 4.96 | 86,2 | 3.39 | 19,2 | 0.76 | 75,7 | 2.98 |
| 6S20CTB16 | -20 | 25 | -16 | 54,0 | 2.13 | 145,2 | 5.72 | 105,4 | 4.15 | 19,2 | 0.76 | 92,9 | 3.66 |
| 6S20CTB20 | -20 | 31 | -20 | 54,0 | 2.13 | 162,5 | 6.40 | 106,5 | 4.19 | 25,2 | 0.99 | 92,9 | 3.66 |
| 6S24CTB20 | -24 | 31 | -20 | 63,5 | 2.50 | 179,0 | 7.05 | 123,0 | 4.84 | 25,2 | 0.99 | 105,6 | 4.16 |
| 6S24CTB24 | -24 | 38 | -24 | 63,5 | 2.50 | 208,9 | 8.22 | 130,9 | 5.15 | 31,1 | 1.22 | 105,7 | 4.16 |
| 6S32CTB24 | -32 | 38 | -24 | 69,6 | 2.74 | 247,4 | 9.74 | 169,4 | 6.67 | 31,1 | 1.22 | 139,7 | 5.50 |
| 6S32CTB32 | -32 | 51 | -32 | 79,4 | 3.13 | 250,3 | 9.85 | 172,2 | 6.78 | 42,1 | 1.66 | 139,7 | 5.50 |

** Note: Items will be available in the near future. Communication will be sent when available.

BSP Male Tapered Rigid (BT)

Straight



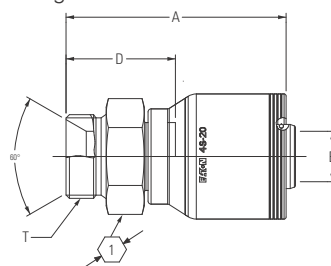
4S

| # Part Number | Terminal End Dash size | Hose Size | | Thread | A | | D | | E Ø | | 1 |
|------------------|---------------------------|-----------|-----------|------------|-------|------|------|------|------|------|------|
| | | DN | Dash size | | in | mm | in | mm | in | mm | |
| 4S12BT12 | -12 | 19 | -12 | R 3/4-14 | 84,0 | 3.31 | 47,7 | 1.88 | 14,2 | 0.56 | 27,0 |
| 4S16BT16 | -16 | 25 | -16 | R 1-11 | 94,9 | 3.74 | 55,2 | 2.17 | 19,2 | 0.75 | 36,0 |
| 4S20BT20 | -20 | 31 | -20 | R 1 1/4-11 | 118,4 | 4.66 | 63,3 | 2.49 | 25,2 | 0.99 | 46,0 |

"R" as part of thread size is ISO designation for tapered thread.

BSP Male Parallel Rigid (BP)

60° Cone Seat
Straight



4S

| # Part Number | Terminal End Dash size | Hose Size | | Thread | A | | D | | E Ø | | 1 |
|------------------|---------------------------|-----------|-----------|------------|-------|------|------|------|------|------|------|
| | | DN | Dash size | | in | mm | in | mm | in | mm | |
| 4S12BP12 | -12 | 19 | -12 | G 3/4-14 | 79,6 | 3.13 | 43,4 | 1.71 | 14,2 | 0.56 | 32,0 |
| 4S16BP16 | -16 | 25 | -16 | G 1-11 | 89,8 | 3.53 | 50,1 | 1.97 | 19,2 | 0.75 | 41,0 |
| 4S20BP20 | -20 | 31 | -20 | G 1 1/4-11 | 109,7 | 4.32 | 54,5 | 2.15 | 25,1 | 0.99 | 50,0 |

"G" as part of thread size is ISO designation for parallel thread.

4S/6S Fitting series

4S Fittings

For use with hoses:

EC525-12,-16,-20,-24,-32; GH493-12,-16,-20,-24,-32;
 FC636-12,-16,-20,-24,-32;
 FC736-12,-16,-20,-24,-32; FC500-12,-16,-20,-24;
 FC273B-12,-16;
 GH506-12,-16,-20,-24,-32; FC254-12,-16,-20,-24,-32;
 EC810-12,-16;

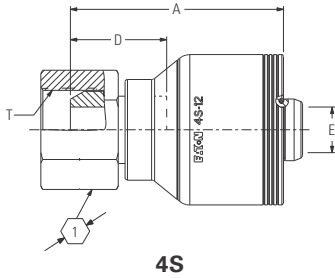
6S Fittings

For use with hoses:

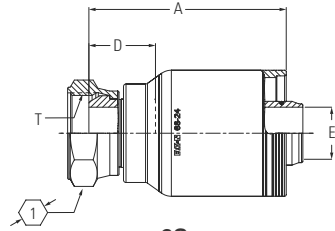
FC500-32;
 FC273B-20,-24,-32;
 FC606-16,-20,-24;
 EC810-20,-24,-32;
 GH466-20,-24

Female BSPP Swivel (BF)

60° Cone Seat
 Straight



4S



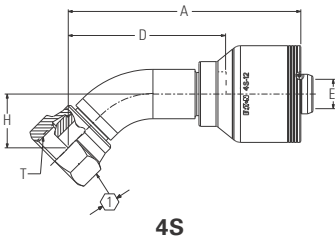
6S

| # Part Number | Terminal End Dash size | Hose Size | | Thread | A | | D | | E Ø | | 1 mm |
|------------------|---------------------------|-----------|------------------|------------|-----------|-----------|-----------|-----------|-----------|-----------|-----------|
| | | DN | Dash size | | in | mm | in | mm | in | mm | |
| 4S12BF12 | -12 | 19 | -12 | G 3/4-14 | 66,2 | 2.61 | 29,9 | 1.18 | 14,2 | 0.56 | 32,0 |
| 4S16BF12 | -16 | 19 | -12 | G 1-11 | 68,7 | 2.70 | 32,3 | 1.27 | 14,2 | 0.56 | 41,0 |
| 4S16BF16 | -16 | 25 | -16 | G 1-11 | 71,0 | 2.80 | 32,3 | 1.27 | 19,2 | 0.76 | 41,0 |
| 4S20BF16 | -20 | 25 | -16 | G 1 1/4-11 | 72,5 | 2.85 | 32,7 | 1.29 | 19,2 | 0.76 | 50,0 |
| 4S20BF20 | -20 | 31 | -20 | G 1 1/4-11 | 82,8 | 3.26 | 32,7 | 1.29 | 25,2 | 0.99 | 50,0 |
| 4S24BF24 | -24 | 38 | -24 | G 1 1/2-11 | 117,9 | 4.64 | 39,8 | 1.57 | 31,1 | 1.22 | 55,0 |
| 4S32BF32 | -32 | 51 | -32 | G 2-11 | 121,0 | 4.76 | 43,0 | 1.69 | 42,1 | 1.66 | 70,0 |
| 6S | Dash size | DN | Dash size | in | mm | in | mm | in | mm | in | mm |
| 6S24BF24 | -24 | 38 | -24 | G 1 1/2-11 | 117,9 | 4.64 | 39,8 | 1.57 | 31,1 | 1.22 | 55,0 |
| 6S32BF32 | -32 | 51 | -32 | G 2-11 | 121,0 | 4.76 | 43,0 | 1.69 | 42,1 | 1.66 | 70,0 |

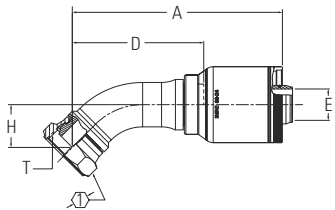
"G" as part of thread size is ISO designation for parallel thread.

Female BSPP Swivel (BFA)

60° Cone Seat
 45° Elbow



4S



6S

| # Part Number | Terminal End Dash size | Hose Size | | Thread | A | | D | | E Ø | | H | | 1 mm |
|------------------|---------------------------|-----------|------------------|------------|-----------|-----------|-----------|-----------|-----------|-----------|-----------|-----------|-----------|
| | | DN | Dash size | | in | mm | in | mm | in | mm | in | mm | |
| 4S12BFA12 | -12 | 19 | -12 | G 3/4-14 | 112,3 | 4.42 | 75,9 | 2.99 | 14,2 | 0.56 | 26,0 | 1.02 | 32,0 |
| 4S16BFA12 | -16 | 19 | -12 | G 1-11 | 115,8 | 4.56 | 79,5 | 3.13 | 14,2 | 0.56 | 30,0 | 1.18 | 41,0 |
| 4S16BFA16 | -16 | 25 | -16 | G 1-11 | 130,3 | 5.13 | 90,6 | 3.57 | 19,2 | 0.76 | 30,0 | 1.18 | 41,0 |
| 4S20BFA16 | -20 | 25 | -16 | G 1 1/4-11 | 133,0 | 5.24 | 93,4 | 3.68 | 19,2 | 0.76 | 34,0 | 1.34 | 50,0 |
| 4S20BFA20 | -20 | 31 | -20 | G 1 1/4-11 | 149,5 | 5.89 | 99,1 | 3.90 | 25,2 | 0.99 | 34,0 | 1.34 | 50,0 |
| 4S24BFA24 | -24 | 38 | -24 | G 1 1/2-11 | 208,3 | 8.20 | 130,3 | 5.13 | 31,1 | 1.22 | 42,4 | 1.67 | 55,0 |
| 4S32BFA32 | -32 | 51 | -32 | G 2-11 | 248,4 | 9.78 | 170,4 | 6.71 | 42,1 | 1.66 | 54,1 | 2.13 | 70,0 |
| 6S | Dash size | DN | Dash size | in | mm | in | mm | in | mm | in | mm | in | mm |
| 6S24BFA24 | -24 | 38 | -24 | G 1 1/2-11 | 208,3 | 8.20 | 130,3 | 5.13 | 31,1 | 1.22 | 42,4 | 1.67 | 55,0 |
| 6S32BFA32 | -32 | 51 | -32 | G 2-11 | 248,4 | 9.78 | 170,4 | 6.71 | 42,1 | 1.66 | 54,1 | 2.13 | 70,0 |

"G" as part of thread size is ISO designation for parallel thread.

4S/6S Fitting series

4S Fittings

For use with hoses:

EC525-12,-16,-20,-24,-32; GH493-12,-16,-20,-24,-32;
 FC636-12,-16,-20,-24,-32;
 FC736-12,-16,-20,-24,-32; FC500-12,-16,-20,-24;
 FC273B-12,-16;
 GH506-12,-16,-20,-24,-32; FC254-12,-16,-20,-24,-32;
 EC810-12,-16;

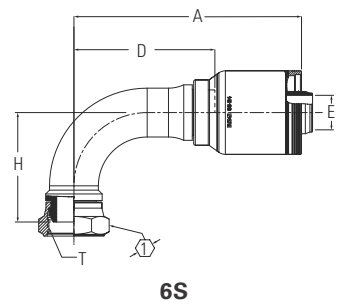
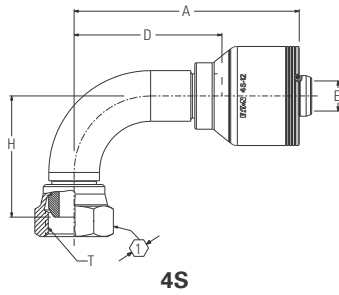
6S Fittings

For use with hoses:

FC500-32;
 FC273B-20,-24,-32;
 FC606-16,-20,-24;
 EC810-20,-24,-32;
 GH466-20,-24

Female BSPP Swivel (BFB)

60° Cone Seat
 90° Elbow



| # Part Number | Terminal End | Hose Size | | Thread | A | | D | | E Ø | | H | | mm |
|------------------|------------------|-----------|------------------|------------|-----------|-----------|-----------|-----------|-----------|-----------|-----------|-----------|-----------|
| | | DN | Dash size | | in | mm | in | mm | in | mm | in | mm | |
| 4S12BFB12 | -12 | 19 | -12 | G 3/4-14 | 105,9 | 4.17 | 69,6 | 2.74 | 14,2 | 0.56 | 57,0 | 2.24 | 32,0 |
| 4S16BFB12 | -16 | 19 | -12 | G 1-11 | 105,9 | 4.17 | 69,6 | 2.74 | 14,2 | 0.56 | 68,0 | 2.68 | 41,0 |
| 4S16BFB16 | -16 | 25 | -16 | G 1-11 | 125,5 | 4.94 | 85,8 | 3.38 | 19,2 | 0.76 | 68,0 | 2.68 | 41,0 |
| 4S20BFB16 | -20 | 25 | -16 | G 1 1/4-11 | 125,5 | 4.94 | 85,8 | 3.38 | 19,2 | 0.76 | 79,0 | 3.11 | 50,0 |
| 4S20BFB20 | -20 | 31 | -20 | G 1 1/4-11 | 145,0 | 5.71 | 95,0 | 3.74 | 25,2 | 0.99 | 79,0 | 3.11 | 50,0 |
| 4S24BFB24 | -24 | 38 | -24 | G 1 1/2-11 | 205,1 | 8.07 | 127,0 | 5.00 | 31,1 | 1.22 | 98,6 | 3.88 | 55,0 |
| 4S32BFB32 | -32 | 51 | -32 | G 2-11 | 245,7 | 9.67 | 167,6 | 6.60 | 42,1 | 1.66 | 125,3 | 4.93 | 70,0 |
| 6S | Dash size | DN | Dash size | in | mm | in | mm | in | mm | in | mm | in | mm |
| 6S24BFB24 | -24 | 38 | -24 | G 1 1/2-11 | 205,1 | 8.07 | 127,0 | 5.00 | 31,1 | 1.22 | 98,6 | 3.88 | 55,0 |
| 6S32BFB32 | -32 | 51 | -32 | G 2-11 | 245,7 | 9.67 | 167,6 | 6.60 | 42,1 | 1.66 | 125,3 | 4.93 | 70,0 |

"G" as part of thread size is ISO designation for parallel thread.

4S/6S Fitting series

4S Fittings

For use with hoses:

EC525-12,-16,-20,-24,-32; GH493-12,-16,-20,-24,-32;
 FC636-12,-16,-20,-24,-32;
 FC736-12,-16,-20,-24,-32; FC500-12,-16,-20,-24;
 FC273B-12,-16;
 GH506-12,-16,-20,-24,-32; FC254-12,-16,-20,-24,-32;
 EC810-12,-16;

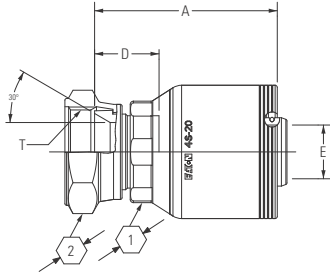
6S Fittings

For use with hoses:

FC500-32;
 FC273B-20,-24,-32;
 FC606-16,-20,-24;
 EC810-20,-24,-32;
 GH466-20,-24

JIS Female Swivel (JF)

30° Flare Seat
 Straight



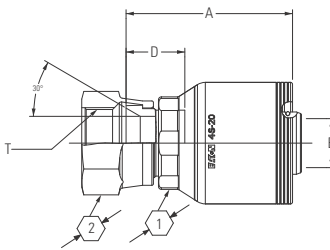
4S

| # Part Number | Terminal End | Hose Size | | Thread | A | | D | | E Ø | | 1 | | 2 |
|------------------|--------------|-----------|-----------|------------|------|------|------|------|------|------|------|---------|------|
| | | DN | Dash size | | mm | in | mm | in | mm | in | mm | in | |
| 4S12JF12 | -12 | 19 | -12 | G 3/4-14 | 62,4 | 2.46 | 26,2 | 1.03 | 14,2 | 0.56 | 30,0 | 1 3/16 | 32,0 |
| 4S16JF16 | -16 | 25 | -16 | G 1-11 | 66,6 | 2.62 | 26,8 | 1.06 | 19,2 | 0.76 | 41,0 | 1 5/8 | 41,0 |
| 4S20JF20 | -20 | 31 | -20 | G 1 1/4-11 | 85,5 | 3.37 | 30,2 | 1.19 | 25,2 | 0.99 | 46,0 | 1 13/16 | 50,0 |

"G" as part of thread size is ISO designation for parallel thread.

Komatsu Female Swivel (KF)

30° Flare Seat
 Straight

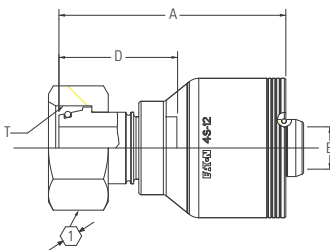


4S

| # Part Number | Tube O.D. | Hose Size | | Thread | A | | D | | E Ø | | 1 | | 2 |
|------------------|-----------|-----------|-----------|---------|------|------|------|------|------|------|------|---------|------|
| | | DN | Dash size | | mm | in | mm | in | mm | in | mm | in | |
| 4S12KF12 | -12 | 19 | -12 | M30X1.5 | 62,4 | 2.46 | 26,2 | 1.03 | 14,2 | 0.56 | 30,0 | 1 3/16 | 36,0 |
| 4S16KF16 | -16 | 25 | -16 | M33X1.5 | 66,6 | 2.62 | 26,8 | 1.06 | 19,2 | 0.76 | 41,0 | 1 5/8 | 41,0 |
| 4S20KF20 | -20 | 31 | -20 | M36X1.5 | 85,5 | 3.37 | 30,2 | 1.19 | 25,2 | 0.99 | 46,0 | 1 13/16 | 46,0 |

Female Swivel DIN 24° seat (DL)

I.Rh DKO (Light)
 Straight

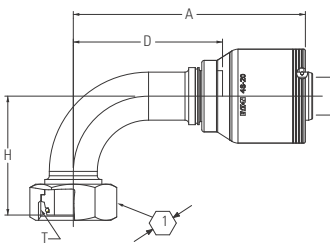


4S

| # Part Number | Tube O.D. | Hose Size | | Thread | A | | D | | E Ø | | 1 |
|------------------|-----------|-----------|-----------|--------|-------|------|------|------|------|------|------|
| | | DN | Dash size | | mm | in | mm | in | mm | in | |
| 4S20DL12 | -20 | 19 | -12 | M30X2 | 76,0 | 2.99 | 39,7 | 1.56 | 14,2 | 0.56 | 36,0 |
| 4S25DL16 | -25 | 25 | -16 | M36X2 | 79,7 | 3.14 | 40,3 | 1.59 | 19,2 | 0.76 | 41,0 |
| 4S32DL20 | -32 | 31 | -20 | M45X2 | 100,5 | 3.96 | 45,5 | 1.79 | 25,2 | 0.99 | 50,0 |

Female Swivel DIN 24° Seat (DLB)

I.Rh DKO (Light)
 90° Elbow



4S

| # Part Number | Tube O.D. | Hose Size | | Thread | A | | D | | E Ø | | H | 1 | |
|------------------|-----------|-----------|-----------|--------|-------|------|------|------|------|------|------|------|------|
| | | DN | Dash size | | mm | in | mm | in | mm | in | | | mm |
| 4S20DLB12 | -20 | 19 | -12 | M30X2 | 106,1 | 4.18 | 69,8 | 2.75 | 14,2 | 0.56 | 50,7 | 2.00 | 36,0 |
| 4S32DLB20 | -32 | 31 | -20 | M45X2 | 154,2 | 6.07 | 99,2 | 3.90 | 25,2 | 0.99 | 79,0 | 3.11 | 50,0 |

4S/6S Fitting series

4S Fittings

For use with hoses:

EC525-12,-16,-20,-24,-32; GH493-12,-16,-20,-24,-32;
 FC636-12,-16,-20,-24,-32;
 FC736-12,-16,-20,-24,-32; FC500-12,-16,-20,-24;
 FC273B-12,-16;
 GH506-12,-16,-20,-24,-32; FC254-12,-16,-20,-24,-32;
 EC810-12,-16;

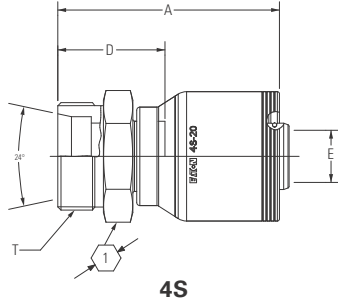
6S Fittings

For use with hoses:

FC500-32;
 FC273B-20,-24,-32;
 FC606-16,-20,-24;
 EC810-20,-24,-32;
 GH466-20,-24

Male DIN 24° Seat Rigid (EK)

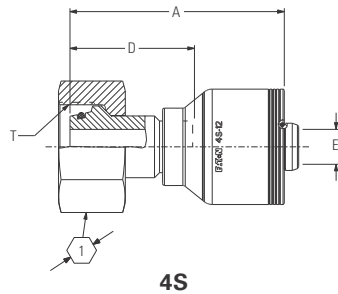
S.Rh. DKO (Heavy)
 Straight



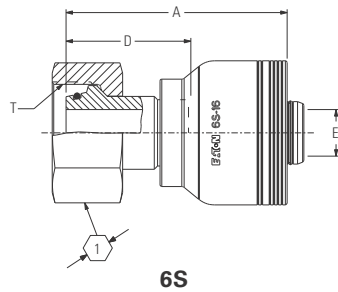
| # Part Number | Tube O.D. Dash size | Hose Size | | Thread | A | | D | | E Ø | | 1 |
|------------------|------------------------------|-----------|--------------|--------|-------|------|------|------|------|------|------|
| | | DN | Dash size | | mm | in | mm | in | mm | in | |
| 4S20EK12 | -20 | 19 | -12 | M36X2 | 78,6 | 3.09 | 42,3 | 1.67 | 14,2 | 0.56 | 41,0 |
| 4S25EK16 | -25 | 25 | -16 | M42X2 | 83,7 | 3.30 | 44,0 | 1.73 | 19,2 | 0.75 | 46,0 |
| 4S32EK20 | -32 | 31 | -20 | M52X2 | 106,9 | 4.21 | 51,7 | 2.04 | 25,2 | 0.99 | 55,0 |

Female Swivel DIN 24° Seat (DS)

S.Rh DKO (Heavy)
 Straight



| # Part Number | Tube O.D. Dash size | Hose Size | | Thread | A | | D | | E Ø | | 1 |
|------------------|------------------------------|-----------|--------------|--------|-------|------|------|------|------|------|------|
| | | DN | Dash size | | mm | in | mm | in | mm | in | |
| 4S16DS12 | -16 | 19 | -12 | M30X2 | 73,7 | 2.90 | 37,4 | 1.47 | 14,2 | 0.56 | 36,0 |
| 4S20DS12 | -20 | 19 | -12 | M36X2 | 86,6 | 3.41 | 50,3 | 1.98 | 14,2 | 0.56 | 46,0 |
| 4S25DS12 | -25 | 19 | -12 | M42X2 | 88,2 | 3.47 | 51,9 | 2.04 | 14,2 | 0.56 | 50,0 |
| 4S25DS16 | -25 | 25 | -16 | M42X2 | 91,1 | 3.59 | 51,4 | 2.02 | 19,2 | 0.76 | 50,0 |
| 4S32DS16 | -32 | 25 | -16 | M52X2 | 94,5 | 3.72 | 55,3 | 2.18 | 19,2 | 0.76 | 60,0 |
| 4S25DS20 | -25 | 31 | -20 | M42X2 | 96,6 | 3.80 | 41,6 | 1.64 | 22,1 | 0.87 | 50,0 |
| 4S32DS20 | -32 | 31 | -20 | M52X2 | 111,5 | 4.39 | 56,5 | 2.22 | 25,2 | 0.99 | 60,0 |



| # Part Number | Dash size | DN | Dash size | Metric | mm | in | mm | in | mm | in | mm |
|------------------|--------------|----|--------------|--------|-------|------|------|------|------|------|------|
| 6S25DS16 | -25 | 25 | -16 | M42X2 | 91,1 | 3.59 | 51,4 | 2.02 | 19,2 | 0.76 | 50,0 |
| 6S32DS16 | -32 | 25 | -16 | M52X2 | 95,0 | 3.74 | 55,3 | 2.18 | 19,2 | 0.76 | 60,0 |
| 6S32DS20 | -32 | 31 | -20 | M52X2 | 112,5 | 4.43 | 56,5 | 2.22 | 25,2 | 0.99 | 60,0 |

4S/6S Fitting series

4S Fittings

For use with hoses:

EC525-12,-16,-20,-24,-32; GH493-12,-16,-20,-24,-32;
 FC636-12,-16,-20,-24,-32;
 FC736-12,-16,-20,-24,-32; FC500-12,-16,-20,-24;
 FC273B-12,-16;
 GH506-12,-16,-20,-24,-32; FC254-12,-16,-20,-24,-32;
 EC810-12,-16;

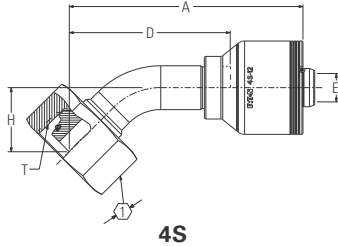
6S Fittings

For use with hoses:

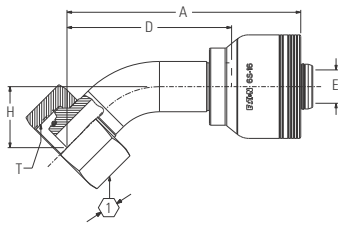
FC500-32;
 FC273B-20,-24,-32;
 FC606-16,-20,-24;
 EC810-20,-24,-32;
 GH466-20,-24

Female Swivel DIN 24° Seat (DSA)

S.Rh DKO (heavy)
 45° Elbow



4S

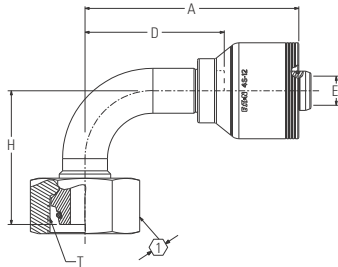


6S

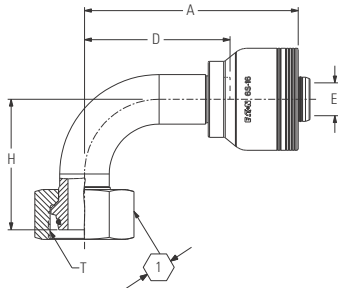
| # Part Number | Tube O.D. | Hose Size | | Thread | A | | D | | E Ø | | H | | 1 |
|------------------|------------------|-----------|------------------|---------------|-----------|-----------|-----------|-----------|-----------|-----------|-----------|-----------|-----------|
| | | DN | Dash size | | mm | in | mm | in | mm | in | mm | in | |
| 4S | Dash size | DN | Dash size | Metric | mm | in | mm | in | mm | in | mm | in | mm |
| 4S20DSA12 | -20 | 19 | -12 | M36X2 | 116,7 | 4.59 | 80,4 | 3.17 | 14,2 | 0.56 | 32,0 | 1.26 | 46,0 |
| 4S25DSA12 | -25 | 19 | -12 | M42X2 | 130,8 | 5.15 | 94,4 | 3.72 | 14,2 | 0.56 | 35,0 | 1.38 | 50,0 |
| 4S25DSA16 | -25 | 25 | -16 | M42X2 | 134,2 | 5.28 | 94,4 | 3.72 | 19,2 | 0.76 | 35,0 | 1.38 | 50,0 |
| 4S32DSA16 | -32 | 25 | -16 | M52X2 | 145,1 | 5.71 | 105,3 | 4.15 | 19,2 | 0.76 | 39,0 | 1.54 | 60,0 |
| 4S32DSA20 | -32 | 31 | -20 | M52X2 | 161,3 | 6.35 | 106,3 | 4.19 | 25,2 | 0.99 | 39,0 | 1.54 | 60,0 |
| 6S | Dash size | DN | Dash size | Metric | mm | in | mm | in | mm | in | mm | in | mm |
| 6S25DSA16 | -25 | 25 | -16 | M42X2 | 134,1 | 5.28 | 94,4 | 3.72 | 19,2 | 0.76 | 35,0 | 1.38 | 50,0 |
| 6S32DSA16 | -32 | 25 | -16 | M52X2 | 145,1 | 5.71 | 105,3 | 4.15 | 19,2 | 0.76 | 39,0 | 1.54 | 60,0 |
| 6S32DSA20 | -32 | 31 | -20 | M52X2 | 162,4 | 6.39 | 106,3 | 4.19 | 25,2 | 0.99 | 39,0 | 1.54 | 60,0 |

Female swivel DIN 24° Seat (DSB)

S.Rh DKO (heavy)
 90° Elbow



4S



6S

| # Part Number | Tube O.D. | Hose Size | | Thread | A | | D | | E Ø | | H | | 1 |
|------------------|------------------|-----------|------------------|---------------|-----------|-----------|-----------|-----------|-----------|-----------|-----------|-----------|-----------|
| | | DN | Dash size | | mm | in | mm | in | mm | in | mm | in | |
| 4S | Dash size | DN | Dash size | Metric | mm | in | mm | in | mm | in | mm | in | mm |
| 4S20DSB12 | -20 | 19 | -12 | M36X2 | 103,9 | 4.09 | 67,7 | 2.67 | 14,2 | 0.56 | 65,0 | 2.56 | 46,0 |
| 4S25DSB12 | -25 | 19 | -12 | M42X2 | 122,7 | 4.83 | 86,4 | 3.40 | 14,2 | 0.56 | 76,0 | 2.99 | 50,0 |
| 4S25DSB16 | -25 | 25 | -16 | M42X2 | 124,5 | 4.90 | 84,8 | 3.34 | 19,2 | 0.76 | 76,0 | 2.99 | 50,0 |
| 4S32DSB16 | -32 | 25 | -16 | M52X2 | 136,7 | 5.38 | 97,0 | 3.82 | 19,2 | 0.76 | 89,0 | 3.50 | 60,0 |
| 4S32DSB20 | -32 | 31 | -20 | M52X2 | 153,0 | 6.02 | 98,0 | 3.86 | 25,2 | 0.99 | 89,0 | 3.50 | 60,0 |
| 6S | Dash size | DN | Dash size | Metric | mm | in | mm | in | mm | in | mm | in | mm |
| 6S25DSB16 | -25 | 25 | -16 | M42X2 | 124,5 | 4.90 | 84,8 | 3.34 | 19,2 | 0.76 | 76,0 | 2.99 | 50,0 |
| 6S32DSB16 | -32 | 25 | -16 | M52X2 | 136,7 | 5.38 | 97,0 | 3.82 | 19,2 | 0.76 | 89,0 | 3.50 | 60,0 |
| 6S32DSB20 | -32 | 31 | -20 | M52X2 | 154,2 | 6.07 | 98,0 | 3.86 | 25,2 | 0.99 | 89,0 | 3.50 | 60,0 |

Aeroquip crimp tooling

The below table represents crimp tooling that has been approved to use in the making of hose assemblies with the 4S and 6S fitting series. For complete crimp specifications please visit Eaton's Product Advisor or Eaton's PowerSource applications.

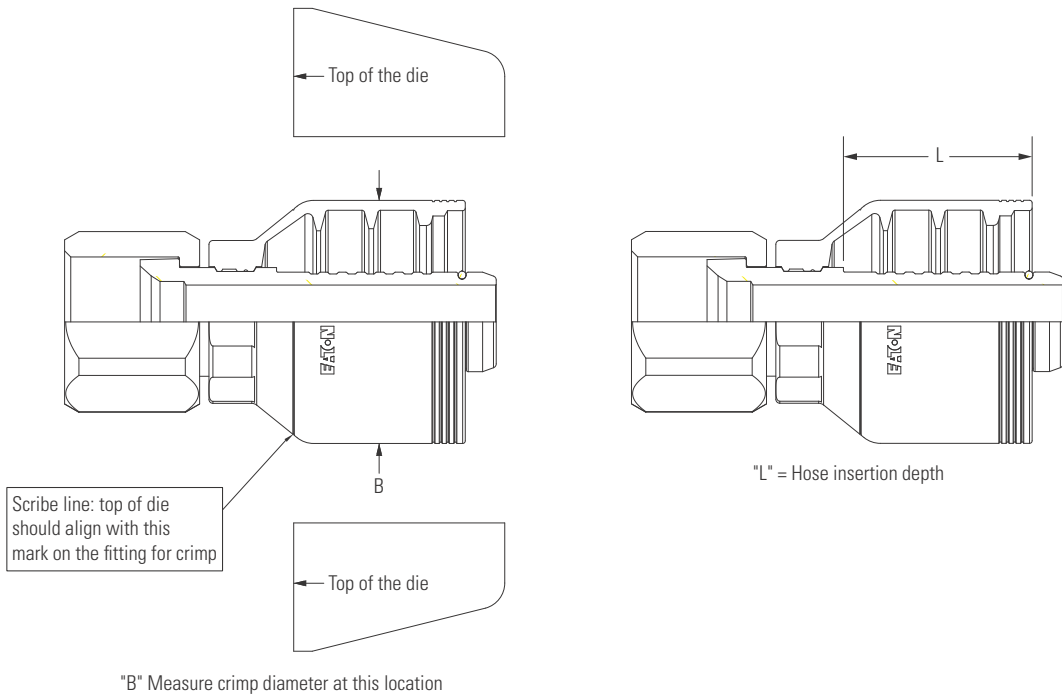
| Hose Dash Size | Insertion Depth | Assembly Machine | Tooling for All Hoses | Spacer Ring/Pusher |
|----------------|--|------------------|--|---|
| -12 | "4S" depth (36,2 mm) (1.43 in) | ET1000 ET3000 | ET1000DC-M360S | ET420SR-M357A T-420-82R ET420SR-M255A T-420-29 |
| | | ET1280 FT1380 | FT1380-200-M320 FT1380-275-M320 FT1381-200-M320 FT1380-200-M370 FT1380-275-M370 FT1381-200-M370 | N/A |
| | | FT1390 | FT1307-200-M320 FT1307-200-M370 FT1209-200-82 | N/A |
| | | ET5040 ET5050 | ET5040DC-M320S ET5040DC-M370S | N/A |
| -16 | "4S" depth (39,8 mm) (1.57 in) "6S" depth (39,8 mm) (1.57 in) | ET3000 | ET1000DC-M430S | ET420SR-M357A T-420-82R ET420SR-M255A T-420-29 |
| | | ET1280 FT1380 | FT1380-200-M420 FT1380-275-M420 FT1380-200-M465 FT1380-275-M465 FT1382-200-M465 FT1382-275-M465 | N/A |
| | | FT1390 | FT1307-200-M420 FT1307-200-M465 | N/A |
| | | ET5040 ET5050 | ET5040DC-M420S ET5040DC-M465S | N/A |
| -20 | "4S" depth (55,1 mm) (2.17 in) "6S" depth (55,9 mm) (2.20 in) | ET3000 | ET1000DC-M520S | T-420-82R ET420SR-M255A T-420-29 |
| | | ET1280 FT1380 | FT1382-200-M465 FT1382-275-M465 FT1382-275-M520 | N/A |
| | | FT1390 | FT1390-200-14 FT1390-200-15 | N/A |
| | | ET5040 ET5050 | ET5040DC-M465S ET5040DC-M505S ET5040DC-M520S | N/A |

Aeroquip crimp tooling

The below table represents crimp tooling that has been approved to use in the making of hose assemblies with the 4S and 6S fitting series. For complete crimp specifications please visit Eaton's Product Advisor or Eaton's PowerSource applications.

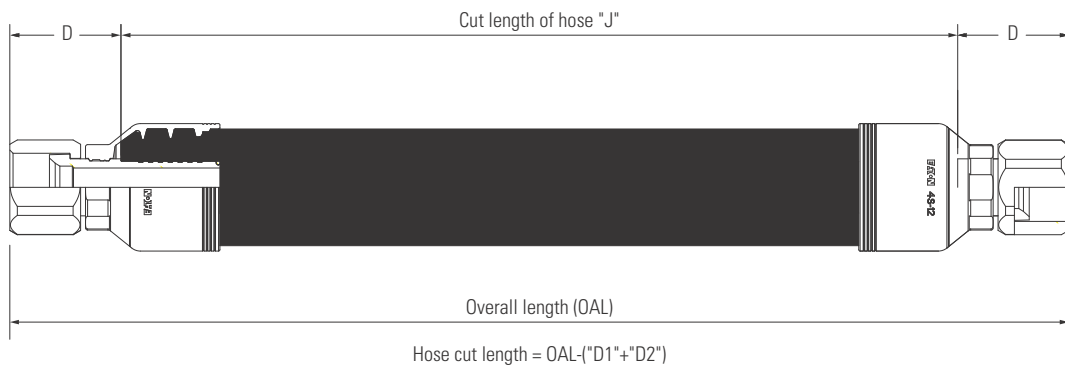
| Hose Dash Size | Insertion Depth | Assembly Machine | Tooling for All Hoses | Spacer Ring/Pusher |
|----------------|--------------------------------------|------------------|--|--------------------|
| -24 | "4S" depth (78,0 mm) (3.07 in) | FT1390 | FT1209-200-16 FT1390-200-16 FT1209-200-20 FT1390-200-20 | N/A |
| | "6S" depth (78,0 mm) (3.07 in) | ET5040 | ET5040DC-M590S ET5040DC-M620S | N/A |
| | | ET5050 | ET5040DC-M590S ET5040DC-M620S | N/A |
| -32 | "4S" depth (78,0 mm) (3.07 in) | FT1390 | FT1209-200-21 FT1390-200-21 FT1209-200-23 FT1390-200-23 | N/A |
| | "6S" depth (78,0 mm) (3.07 in) | ET5040 | ET5040DC-M720S ET5040DC-M775S | N/A |
| | | ET5050 | ET5040DC-M720S ET5040DC-M775S | N/A |

Fitting for crimp die placement



L Dimension

| | mm | inches |
|-------|------|--------|
| 4S-12 | 36,2 | 1.43 |
| 4S-16 | 39,8 | 1.57 |
| 4S-20 | 55,1 | 2.17 |
| 4S-24 | 78,0 | 3.07 |
| 4S-32 | 78,0 | 3.07 |
| 6S-16 | 39,8 | 1.57 |
| 6S-20 | 55,9 | 2.20 |
| 6S-24 | 78,0 | 3.07 |
| 6S-32 | 78,0 | 3.07 |



Eaton
Hydraulics Group USA
14615 Lone Oak Road
Eden Prairie, MN 55344
USA
Tel: 952-937-9800
Fax: 952-294-7722
www.eaton.com/hydraulics

Eaton
Hydraulics Group Europe
Route de la Longeraie 7
1110 Morges
Switzerland
Tel: +41 (0) 21 811 4600
Fax: +41 (0) 21 811 4601

Eaton
Hydraulics Group Asia Pacific
Eaton Building
No.7 Lane 280 Linhong Road
Changning District,
Shanghai 200335
China
Tel: (+86 21) 5200 0099
Fax: (+86 21) 2230 7240